

PRODUCT INFORMATION PACKET



Model No: 193302.60
Catalog No: 193302.60
3 HP General Purpose, 3 phase, 1200 RPM, 230/460 V, 112M Frame, TEFC
Cast Iron Motors



Regal and Leeson are trademarks of Regal Rexnord Corporation or one of its affiliated companies.
©2021 Regal Rexnord Corporation, All Rights Reserved. MC017097E





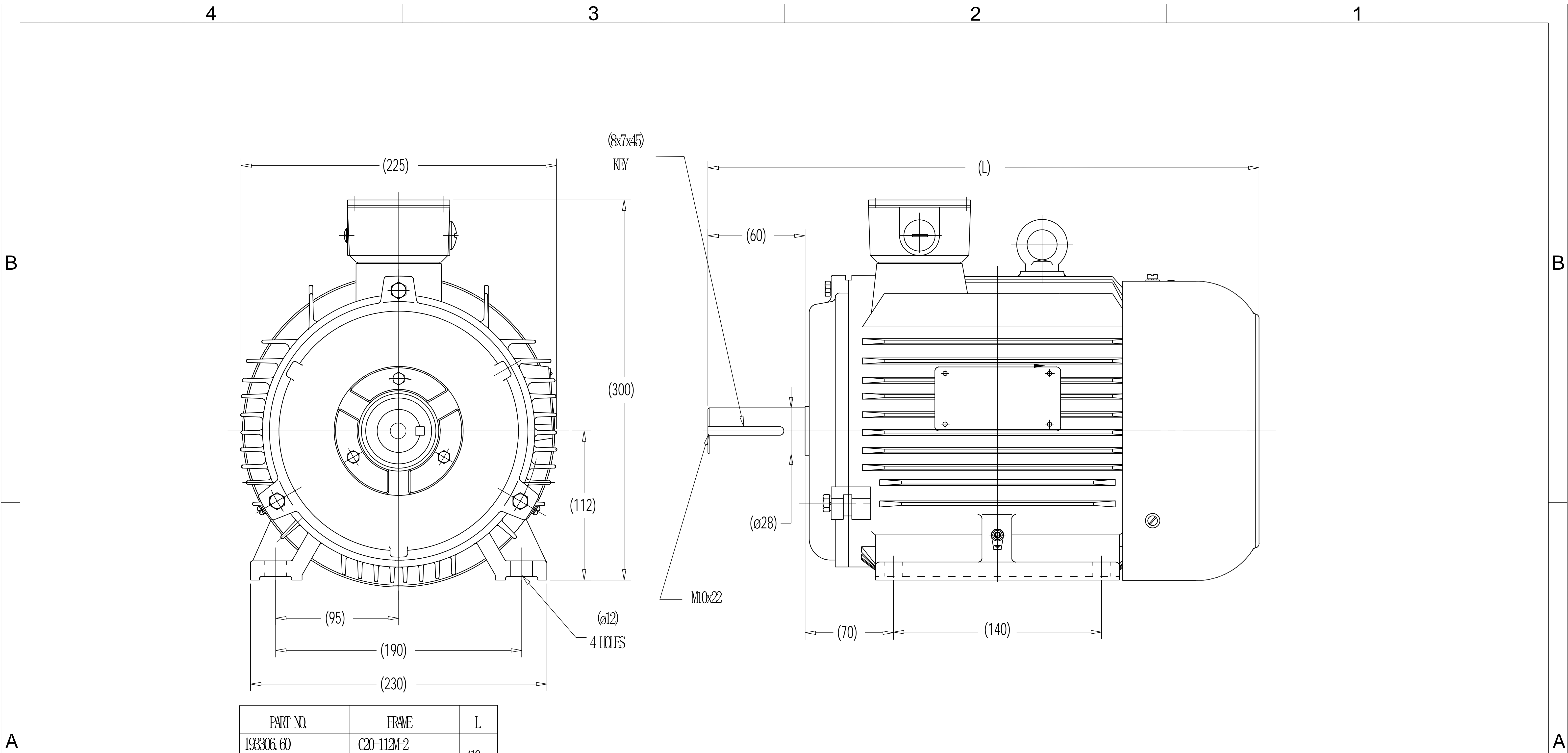
Nameplate Specifications

Output HP	3 Hp	Output KW	2.2 kW
Frequency	60 Hz	Voltage	230/460 V
Current	9.6/4.8 A	Speed	1178 rpm
Service Factor	1.15	Phase	3
Efficiency	89.5 %	Power Factor	65.5
Duty	Continuous	Insulation Class	F
Design Code	B	KVA Code	J
Frame	112M	Enclosure	Totally Enclosed Fan Cooled
Thermal Protection	No	Ambient Temperature	40 °C
Drive End Bearing Size	6306	Opp Drive End Bearing Size	6306
UL	Recognized	CSA	Y
CE	Y	IP Code	55
Number of Speeds	1		

Technical Specifications

Electrical Type	Squirrel Cage Inverter Rated	Starting Method	Line Or Inverter
Poles	6	Rotation	Reversible
Resistance Main	2.02 Ohms	Mounting	Rigid Base
Motor Orientation	Horizontal	Drive End Bearing	Ball
Opp Drive End Bearing	Ball	Frame Material	Cast Iron
Shaft Type	IEC	Overall Length	18.42 in
Shaft Diameter	1.125 in	Shaft Extension	2.36 in
Assembly/Box Mounting	F3	Inverter Load	CONSTANT 10:1
Outline Drawing	SS622368	Connection Drawing	005465.01

This is an uncontrolled document once printed or downloaded and is subject to change without notice. Date Created:10/07/2021



PART NO.	FRAME	L
193306.60	C20-112M-2	410
193307.60	C20-112M1-4	
193302.60	C20-112M1-6	468

DRAWING NOT TO SCALE

DRAWING REVISION F	REVISION BY W. JOERGER	DATE 08-20-2016	TOLERANCES UNLESS OTHERWISE SPECIFIED: DEC. INCH mm ANGLE .X ±0.1 [±2.5] ±7' 30" .XX ±0.03 [±0.76] .XXX ±0.005 [±0.127] .XXXX ±0.0005 [±0.0127] REMOVE BURRS & BREAK SHARP EDGES: .003/.015 [.076/.381] X 45° CORNER FILLETS: R.02 [.51] MACHINED SURFACES: 200 INCH mm 5.1 mm SHOWN IN [BRACKETS]	DRAWN BY MOL	Regal Beloit America, Inc.		
ECO ECO-0108079	APPROVED BY E. HEIL	DATE 08-20-2016		DATE 04-12-2012		DESCRIPTION OUTLINE IEC 112M - 2,4,6 - TEFC	
ECO DESCRIPTION 193307.60 FRAME WAS C20-112M1-6 <small>COPYRIGHT REGAL BELOIT AMERICA, INC. ALL RIGHTS RESERVED. PROPRIETARY AND CONFIDENTIAL INFORMATION - THIS DOCUMENT IS THE PROPERTY OF REGAL BELOIT AMERICA, INC. ("OWNER") AND CONTAINS OWNER'S PROPRIETARY INFORMATION. ANY PERSON, CORPORATION OR OTHER FIRM RECEIVING IT IS DEEMED, BY RECEIVING IT, TO AGREE THAT IT, AND/OR ANY PART OF IT, SHALL NOT BE DISCLOSED TO ANY PERSON, CORPORATION OR OTHER ENTITY, DUPLICATED, AND/OR USED, EXCEPT AS EXPRESSLY APPROVED IN WRITING IN ADVANCE BY OWNER. THIS DOCUMENT SHALL BE RETURNED TO OWNER UPON REQUEST. IT MAY BE SUBJECT TO CERTAIN RESTRICTIONS UNDER APPLICABLE EXPORT CONTROL LAWS AND REGULATIONS.</small>				APPROVED BY SB	MATERIAL	PROCESS/FINISH	
				DATE 04-12-2012	SIZE B	DRAWING NUMBER SS622368	SHEET 1 OF 1



REF. DECAL (IEC) 080644
REF. DECAL (NEMA) 080446

IEC MARKINGS



LINE VOLTAGE	L1	L2	L3	JOIN		
TERMINAL	U1	V1	W1	W2	U2	V2
LOW	U1,U5	V1,V5	W1,W5	---	U2,V2,W2	---
HIGH	U1	V1	W1	U2,U5	V2,V5	W2,W5

NEMA MARKINGS



LINE VOLTAGE	L1	L2	L3	JOIN		
TERMINAL	U1	V1	W1	W2	U2	V2
LOW	T1, T7	T2, T8	T3, T9	---	T4,T5,T6	---
HIGH	T1	T2	T3	T4, T7	T5, T8	T6, T9

TOLERANCES UNLESS SPECIFIED

DEC.	INCHES
.X	±.1
.XX	±.01
.XXX	±.005
.XXXX	±.0005
ANG	±1/2'



ELECTRIC MOTORS
GEARMOTORS
AND DRIVES

DRAWN MGM 12/3/02

CHK

APPD

SCALE 1=1

REF 00537703

FMF

PREV

TITLE EXTERNAL WIRING DIAGRAM
3 PHASE - DUAL VOLTAGE - W/TERM BLOCK

MAT'L. IEC/NEMA MARKINGS

FINISH THERMAL TRANSFER

NO.	REVISION	BY & DATE	CHK	ANG
01	NEMA LV CONNECTION WAS INCORRECT	RLW 8/4/03		

THIS DRAWING IN DESIGN AND DETAIL IS OUR PROPERTY AND MUST NOT BE USED EXCEPT IN CONNECTION WITH OUR WORK ALL RIGHTS OF DESIGN AND INVENTION ARE RESERVED THIS IS AN ELECTRONICALLY GENERATED DOCUMENT - DO NOT SCALE THIS PRINT

RFP
DIST

CAD FILE 00546501

SIZE A
DRAWING NO. 005465-01
REV. 01



**1051 CHEYENNE AVE.
GRAFTON, WI 53024
PH. 262-377-8810**

CATALOG #: 193302.60

CONN. DIAGRAM: 005465.01

OUTLINE: SS622368

MOUNTING: F3

WINDING #: T08706007 3

TYPICAL MOTOR PERFORMANCE DATA

HP	kW	SYNC. RPM	F.L. RPM	FRAME	ENCLOSURE	KVA CODE	DESIGN
3	2.24	1200	1178	112M	TEFC	J	B

PH	Hz	VOLTS	AMPS	START TYPE	DUTY	INSL	S.F.	AMB°C
3	60/50	230/460/200/400	9.6/4.8/8.8/4.4	LINE OR INVERTER	CONTINUOUS	F5	1.15/1.15	40

FULL LOAD EFF:	89.5	3/4 LOAD EFF:	89.5	1/2 LOAD EFF:	87.5	GTD. EFF	ELEC. TYPE
FULL LOAD PF:	65.5	3/4 LOAD PF:	58	1/2 LOAD PF:	46	85.5	SQ CAGE INV RATED

F.L. TORQUE	LOCKED ROTOR AMPS	L.R. TORQUE	B.D. TORQUE	F.L. RISE°C
13.3 LB-FT	58 / 29	27.5 LB-FT 206 %	41.5 LB-FT 312 %	30

SOUND PRESSURE @ 3 FT.	SOUND POWER	ROTOR WK^2	MAX. WK^2	SAFE STALL TIME	STARTS / HOUR	APPROX. MOTOR WGT
54 dBA	64 dBA	- LB-FT^2	- LB-FT^2	10 SEC.	-	110 LBS.

***** SUPPLEMENTAL INFORMATION *****

DE BRACKET TYPE	ODE BRACKET TYPE	MOUNT TYPE	ORIENTATION	SEVERE DUTY	HAZARDOUS LOCATION	DRIP COVER	SCREENS	PAINT
STANDARD	STANDARD	RIGID	HORIZONTAL	TRUE	NONE	FALSE	NONE	BLUE - LEESON (ENAMEL)

BEARINGS		GREASE	SHAFT TYPE	SPECIAL DE	SPECIAL ODE	SHAFT MATERIAL	FRAME MATERIAL
DE	ODE						
BALL	BALL	POLYREX EM	STANDARD IEC	NONE	NONE	NONE	CAST IRON
6306	6306						

THERMO-PROTECTORS				THERMISTORS	CONTROL	SPACE HEATERS
THERMOSTATS	PROTECTORS	WDG RTDs	BRG RTDs			
NONE	NOT	NONE	NONE	NONE	FALSE	NONE VOLTS

*
N
O
T
E
S

INVERTER TORQUE: CONSTANT 10:1
INV. HP SPEED RANGE: NONE
ENCODER: NONE
NONE NONE
NONE NONE PPR
BRAKE: NONE NONE
NONE P/N NONE
NONE NONE
NONE FT-LB NONE V NO BRAKE Hz

Data Sheet

Date: 1/22/2018

193302.60



Data @ **460 V**

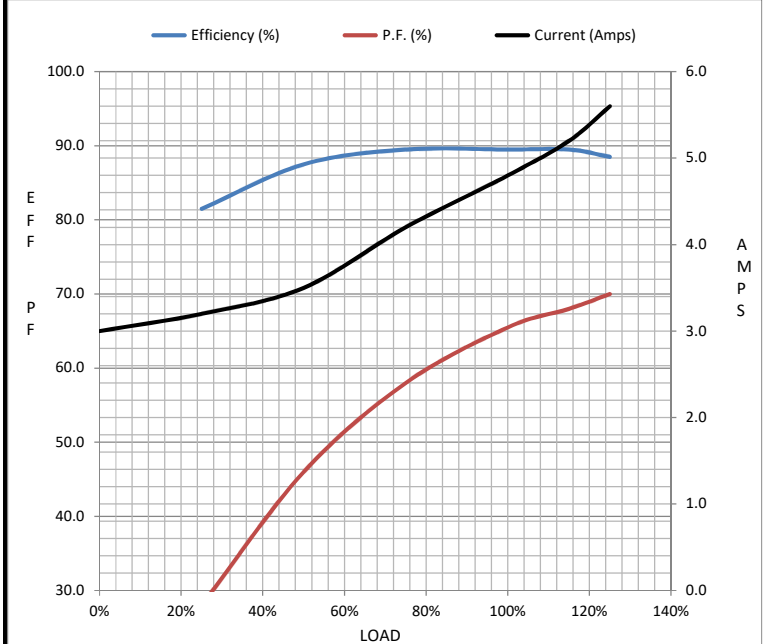
Motor Load Data

Load	0%	25%	50%	75%	100%	115%	125%	LR
Current (Amps)	3.0	3.2	3.5	4.2	4.8	5.2	5.6	29.0
Torque (ft-lb)	0.00	3.3	6.6	10.0	13.3	15.5	16.7	27.5
RPM	1200	1195	1190	1185	1178	1,175	1170	0
Efficiency (%)		81.5	87.5	89.5	89.5	89.5	88.5	
P.F. (%)	5.0	28.0	46.0	58.0	65.5	68.0	70.0	40.0

Motor Speed Data

	LR	Pull-Up	BD	Rated	Idle
Speed (RPM)	0	600	1075	1178	1200
Current (Amps)	29.0	26.0	18.0	4.8	3.0
Torque (ft-lb)	27.5	24.0	41.5	13.3	0.00

Information Block				
HP	3.0			
Sync. RPM	1200			
Frame	112			
Enclosure	TEFC			
Construction	TFC			
Voltage	230/460#200/400 V			
Frequency	60 Hz			
Design	B			
LR Code letter	J			
Service Factor	1.15			
Temp Rise @ FL	30 °C			
Duty	CONT			
Ambient	40 °C			
Elevation	1,000 feet			
Rotor/Shaft wk ²	0.00 Lb-Ft ²			
Ref Wdg	T08706007 NONE			
Sound Pressure @ 1M	54 dBA			
VFD Rating	CONSTANT 10:1			
Outline Dwg	SS622368			
Conn. Diag	005465.01			
Additional Specifications:				
0				
0				
EQUIV CKT (OHMS / PHASE)				
R1	R2	X1	X2	Xm
0.0000	0.0000	0.0000	0.0000	0.0000



Speed - Torque Curve

