

PRODUCT INFORMATION PACKET



Model No: M1125080.00
Catalog No: M1125080.00
0.06 HP AC Gearmotor, 1 phase, 28 RPM, 115 V, 31 Frame, TENV
Right Angle Gearmotors



Regal and Leeson are trademarks of Regal Rexnord Corporation or one of its affiliated companies.
©2021 Regal Rexnord Corporation, All Rights Reserved. MC017097E





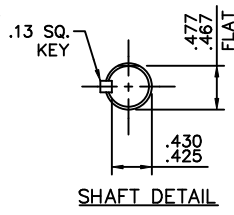
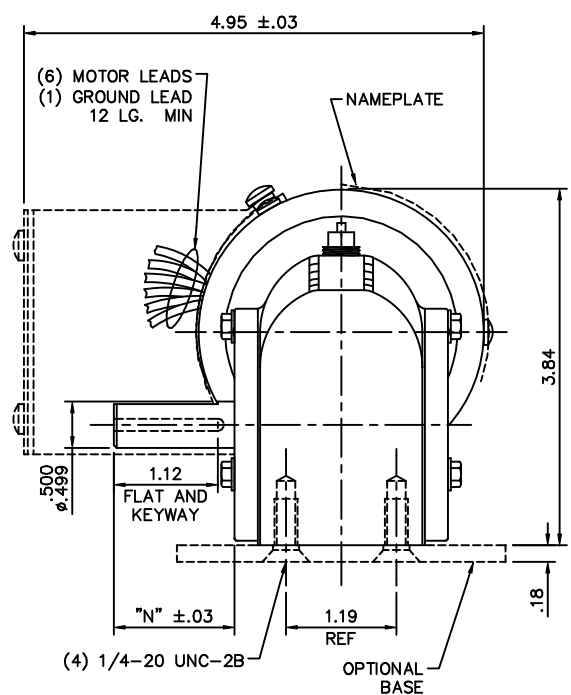
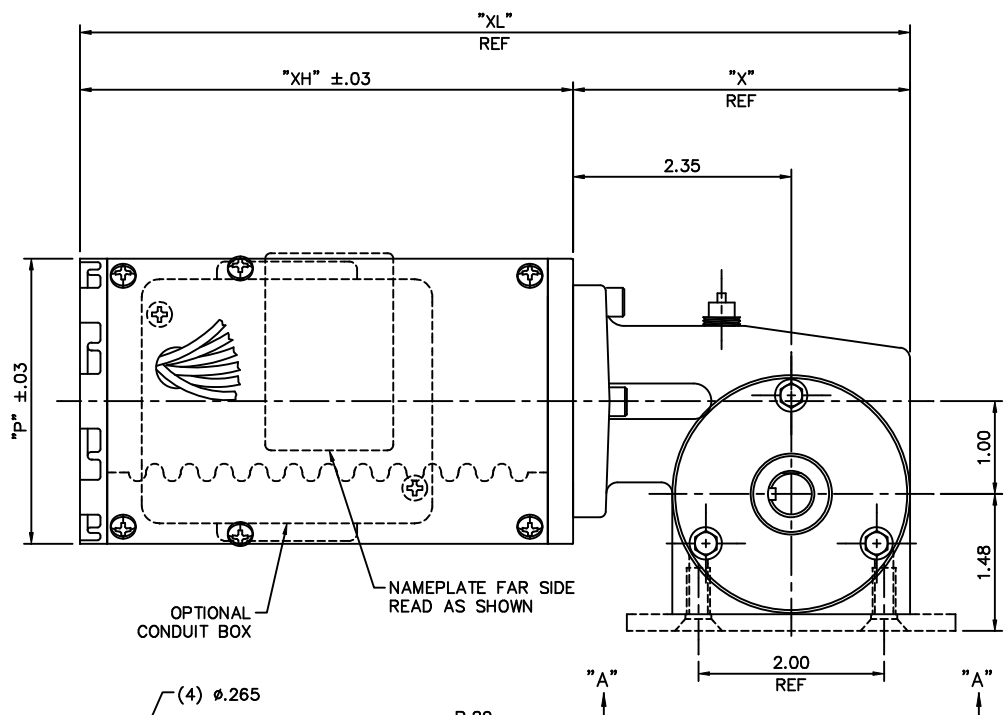
Nameplate Specifications

Output HP	0.06 Hp	Output KW	0.04 kW
Frequency	60/50 Hz	Voltage	115 V
Current	0.90/0.45 A	Speed	28 rpm
Service Factor	1	Phase	1
Duty	Continuous	Insulation Class	F
KVA Code	C	Frame	31
Enclosure	Totally Enclosed Non Ventilated	Thermal Protection	No
Ambient Temperature	40 °C	Drive End Bearing Size	6201
Opp Drive End Bearing Size	608	UL	Recognized
CSA	Y	CE	Y

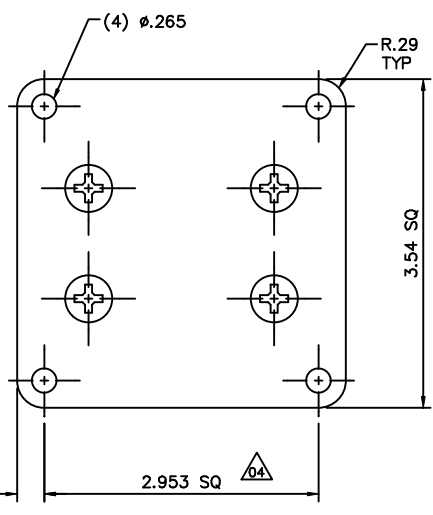
Technical Specifications

Rotation	Reversible	Mounting	Special
Shaft Type	Right Angle	Overall Length	8.94 in
Frame Length	4.75 in	Shaft Diameter	0.500 in
Shaft Extension	1.3 in	Torque	37 LB-IN
Connection Drawing	M1005040.02	Outline Drawing	M1030420-M1125080

This is an uncontrolled document once printed or downloaded and is subject to change without notice. Date Created:10/07/2021



OPTIONAL CONDUIT BOX
NAMEPLATE FAR SIDE READ AS SHOWN

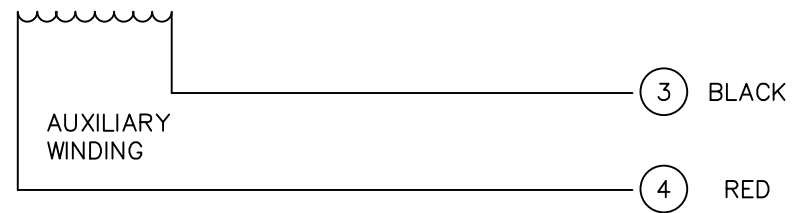
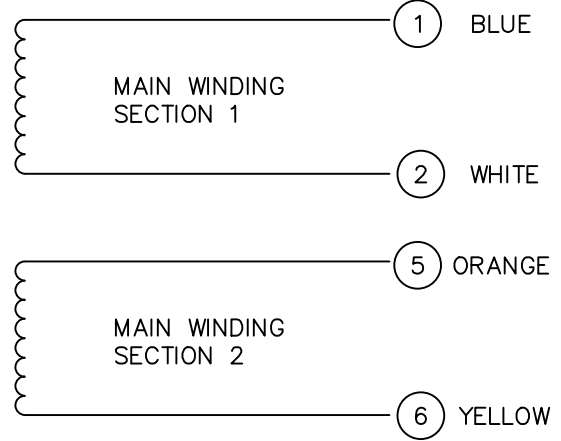
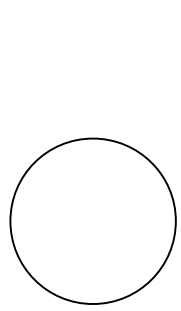


CATALOG NUMBER	SPEED RANGE RPM	FULL LOAD TORQUE LB.-IN.	INPUT HP	OVERHUNG LOAD LBS.	RATIO TO 1	"P"	"X"	"XH"	"XL"	"N"
M1125084.00	173	14	1/15	185	10	3.07	3.63	5.31	8.94	1.30
M1125083.00	85	24	1/15	185	20	3.07	3.63	5.31	8.94	1.30
M1125082.00	58	40	1/15	185	30	3.07	3.63	5.31	8.94	1.30
M1125081.00	43	34	1/15	185	40	3.07	3.63	5.31	8.94	1.30
M1125080.00	28	37	1/15	185	60	3.07	3.63	5.31	8.94	1.30

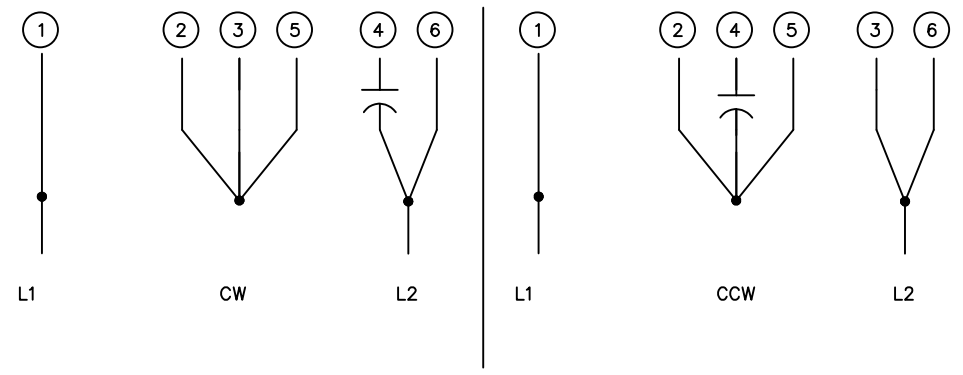
06	ADDED "N" DIM TO CHART	RLW	7/8/05	TOLERANCES UNLESS SPECIFIED		LEESON ELECTRIC MOTORS GEARMOTORS AND DRIVES	DRAWN	TMZ	02/04/95	
05	"D" DIM. WAS 1.30 & UPDATE CHART PER ECO 05-1249	LST	6/24/05	DEC.	INCHES		CHK			
04	BASE DIM, 2.953 SQ WAS 3.54, REV'D TO MATCH PART	BJB	05/10/05	.X	±.1	APPD				
03	DIM 1.12 WAS .93	SAD	05/06/98	.XX	±.03	SCALE	3=4			
02	GEAR SYSTEMS GEARBOX WAS HUB CITY GEARBOX	SAD	03/31/98	.XXX	±.005	REF	M1125084.00			
01	UPDATED ITEM BLOCK	SPV	04/26/95	.XXXX	±.0005	FMF	PR940044			
NO. REVISION		BY & DATE	CHK	ANG	±1/2"	FINISH	PREV			
THIS DRAWING IN DESIGN AND DETAIL IS OUR PROPERTY AND MUST NOT BE USED EXCEPT IN CONNECTION WITH OUR WORK ALL RIGHTS OF DESIGN AND INVENTION ARE RESERVED THIS IS AN ELECTRONICALLY GENERATED DOCUMENT - DO NOT SCALE THIS PRINT						RFP	CAD FILE	M1030420	SIZE	DRAWING NO.
						DIST	B	M1030420.00	REV.	06

M1005040.02

COLORED LEADS

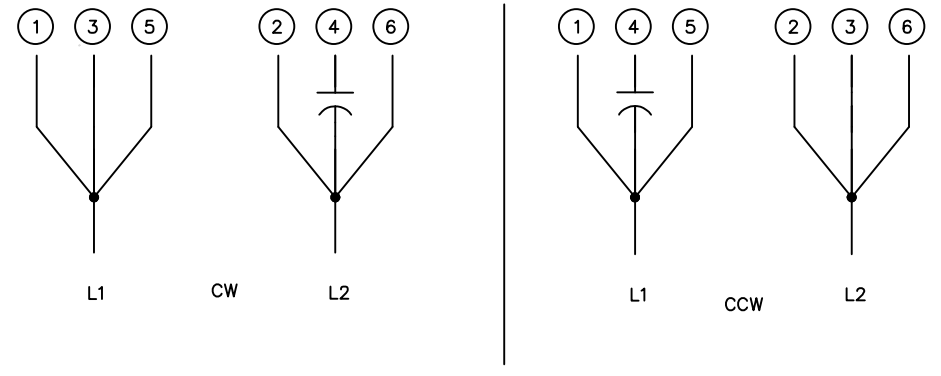


HIGH VOLTAGE CONNECTIONS



ROTATION VIEWING LEAD END OF MOTOR

LOW VOLTAGE CONNECTIONS



ROTATION VIEWING LEAD END OF MOTOR

				TOLERANCES UNLESS OTHERWISE SPECIFIED		LEESON ELECTRIC CORPORATION				
				DECIMALS						
				.00	± .01	DRAWN	DK	TITLE EXTERNAL WIRING DIAGRAM DUAL VOLTAGE DUAL ROTATION		
02	REDRAWN ON CAD	AJR	6/28/99	.000	± .005	CH'K'D.	10/3/91			
01	REMOVED CAP FROM LEFT DIAGRAM	DD	9/16/95	.0000	± .0005	APPR.	10/3/91	MAT'L.		
NO.	REVISION	BY	DATE	FRACTIONS	± 1/64	SCALE	NONE			
THIS DRAWING IN DESIGN AND DETAIL IS OUR PROPERTY AND MUST NOT BE USED EXCEPT IN CONNECTION WITH OUR WORK ALL RIGHTS OF DESIGN AND INVENTION ARE RESERVED				ANGLES	± 1/2°	REF.	FINISH LECO CORP.		SIZE	DRAWING NO.
				INCH/MM		FMF			PR91376	A