

# PRODUCT INFORMATION PACKET



Model No: M1120046.00  
Catalog No: M1120046.00  
0.17-0.33 HP Sub-Fractional Motor, 1800-3900 RPM, 12-24 V, 31 Frame, TENV  
Sub-Fractional Motors



Regal and Leeson are trademarks of Regal Rexnord Corporation or one of its affiliated companies.  
©2021 Regal Rexnord Corporation, All Rights Reserved. MC017097E





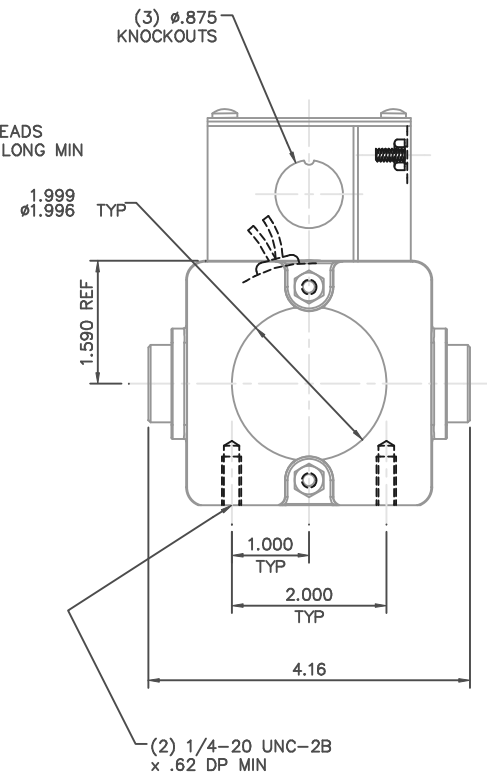
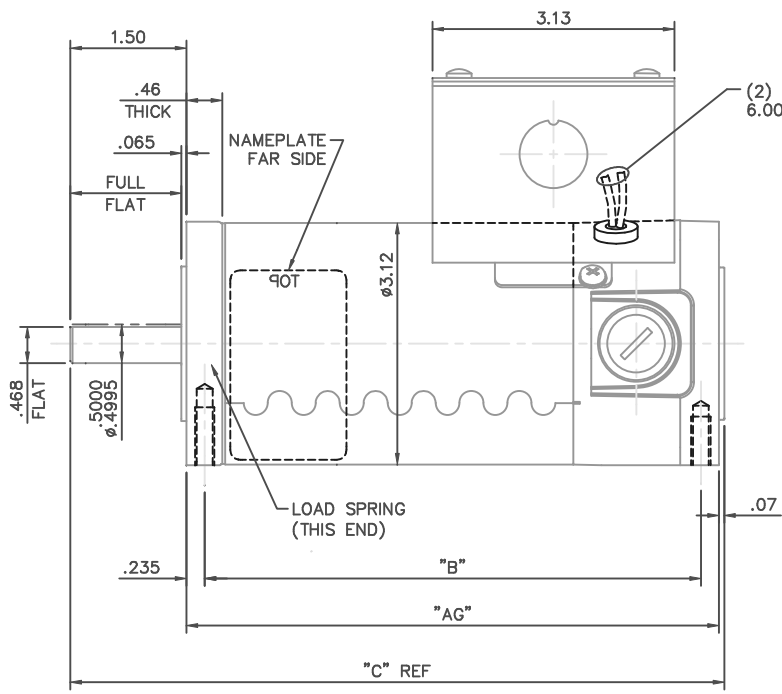
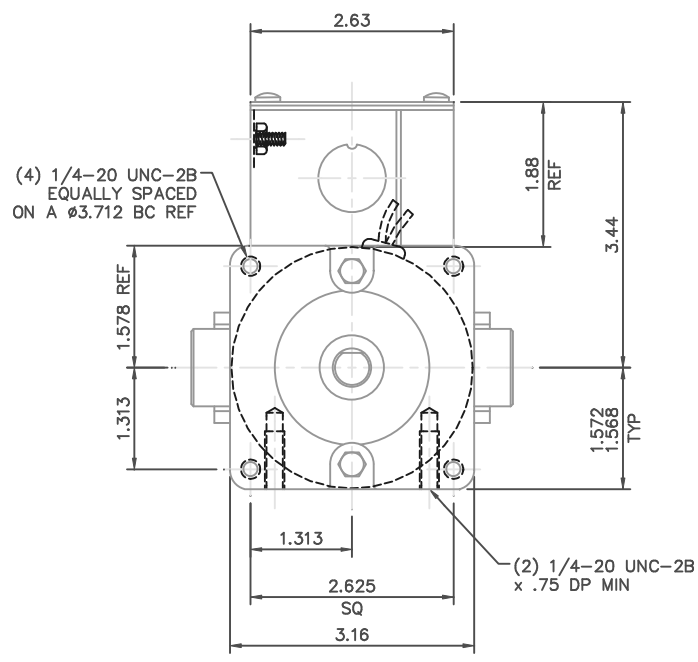
**Nameplate Specifications**

Output HP	0.17-0.33 Hp	Output KW	0.13-0.25 kW
Voltage	12-24 V	Current	14.0 A
Speed	1800-3900 rpm	Service Factor	1
Efficiency	72.8 %	Duty	Continuous
Insulation Class	F	Frame	31
Enclosure	Totally Enclosed Non Ventiladed	Thermal Protection	No
Ambient Temperature	40 °C	Drive End Bearing Size	6201-13
Opp Drive End Bearing Size	6201-13	UL	Recognized
CSA	Y	CE	Y

**Technical Specifications**


Rotation	Reversible	Mounting	Round
Overall Length	9.45 in	Frame Length	5.50 in
Shaft Diameter	0.500 in	Shaft Extension	1.5 in
Torque	94 OZ-IN		
Connection Drawing	M1005326	Outline Drawing	M1031040-M1120046

This is an uncontrolled document once printed or downloaded and is subject to change without notice. Date Created:10/07/2021

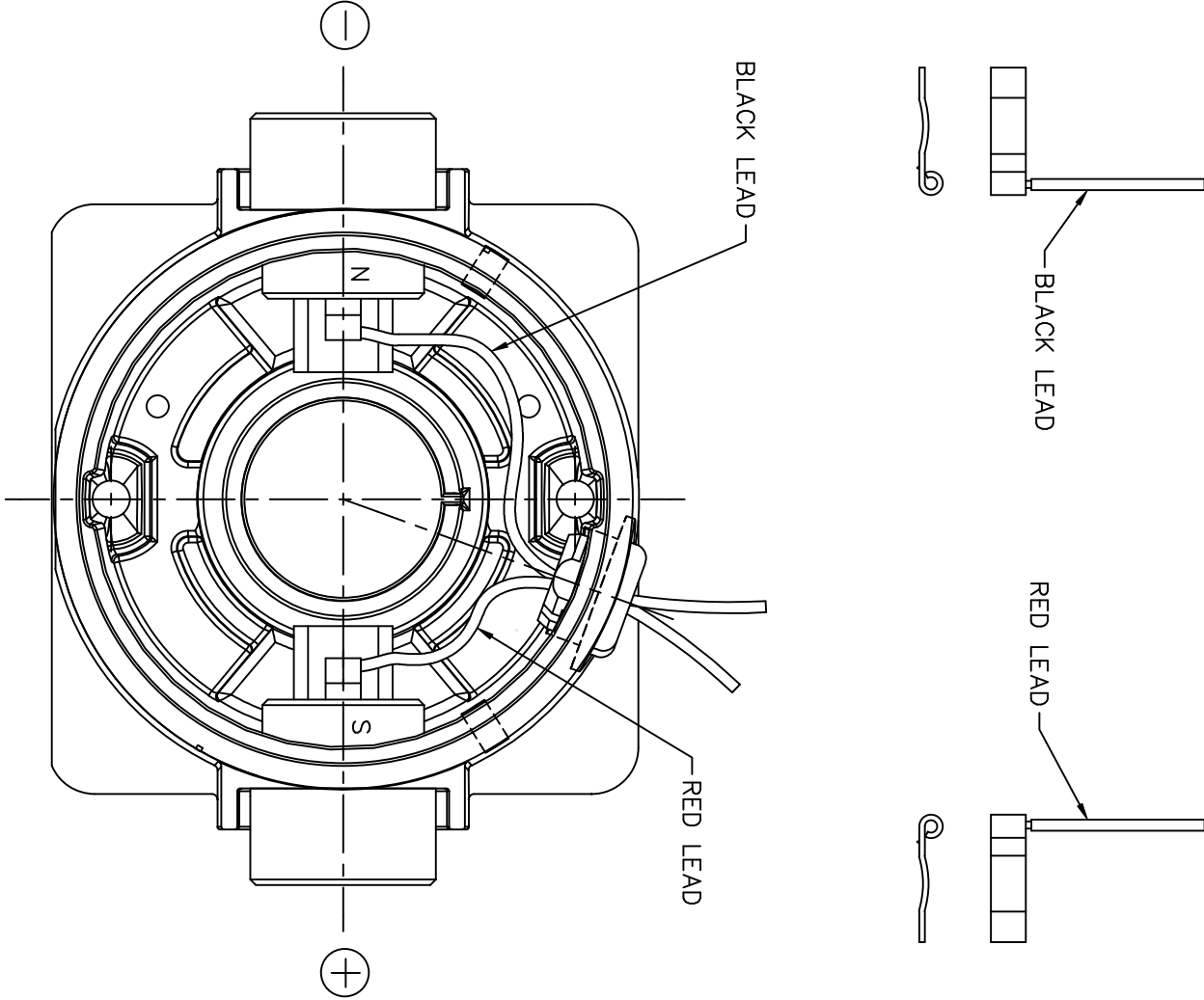


NOTES:  
 1) END CAP MOUNTING FEET TO BE PARALLEL TO EACH OTHER WITHIN .002


M1120046.00	7.88	7.42	9.45	12-24	1/6-1/3	1800-3900
M1120044.00	7.38	6.92	8.95	12-24	1/7-1/4	1750-3500
CATALOG NO.	"AG" DIM	"B" DIM	"C" DIM	VOLT	H.P.	RPM

02	ADDED M1120046.00 TO TABLE, ECN 07-1634	IPG	5/17/07	SAD	DEC.	INCHES	 ELECTRIC MOTORS GEARMOTORS AND DRIVES	DRAWN	IPG 12/13/06			
01	CORRECTED HP & RPM VALUES TO MATCH FRONT PAGE, PER SALES REQUEST	IPG	1/30/07	SAD	.X	±.1		CHK	SAD 12/13/06			
00	RELEASED: REF. M1031034.00, 31 TT FR CONSOLIDATION, ECN 06-4435	IPG	12/13/06	SAD	.XX	±.03	TITLE	SCALE	5=8			
					.XXX	±.005		REF	M1031034.00			
					.XXXX	±.0005	MAT'L	FMF	M1120044.00			
NO.	REVISION	BY & DATE	CHK	ANG	±1/2"	FINISH	PREV					
THIS DRAWING IN DESIGN AND DETAIL IS OUR PROPERTY AND MUST NOT BE USED EXCEPT IN CONNECTION WITH OUR WORK ALL RIGHTS OF DESIGN AND INVENTION ARE RESERVED THIS IS AN ELECTRONICALLY GENERATED DOCUMENT - DO NOT SCALE THIS PRINT								RFP				
								CAD FILE	M1031040	SIZE	DRAWING NO.	REV.
								DIST		B	M1031040.00	02

D.C. MOTORS



EXTERNAL CONNECTIONS FOR CCW ROTATION  
 VIEWING LEAD END OF MOTOR WITH RED LEAD  
 POSITIVE (+) AND BLACK LEAD NEGATIVE (-).  
 FOR CW ROTATION REVERSE POLARITY.

				TOLERANCES UNLESS SPECIFIED		 ELECTRIC MOTORS GEARMOTORS AND DRIVES	DRAWN IPG 12/13/06 CHK SAD 12/13/06 APPD SCALE 1=1 REF M1005321.01 FMF M1120044.00 PREV	
				DEC.	INCHES		TITLE CONNECTION DIAGRAM MAT'L. FINISH	
				.X	±.1			
				.XX	±.01			
				.XXX	±.005			
00	RELEASED PER 31 TT FR CONSOLIDATION, ECN 06-4435	IPG 12/13/06	SAD	.XXXX	±.0005			
NO.	REVISION	BY & DATE	CHK	ANG	±1/2"			
THIS DRAWING IN DESIGN AND DETAIL IS OUR PROPERTY AND MUST NOT BE USED EXCEPT IN CONNECTION WITH OUR WORK ALL RIGHTS OF DESIGN AND INVENTION ARE RESERVED THIS IS AN ELECTRONICALLY GENERATED DOCUMENT - DO NOT SCALE THIS PRINT			RFP	CAD FILE M1005326		SIZE	DRAWING NO.	REV.
			DIST			A	M1005326.01	00

# LEESON ELECTRIC CORPORATION

## TYPICAL PERFORMANCE CURVE FOR DIRECT CURRENT PERMANENT MAGNET MOTOR

Model No. CM31D17NZ26

Catalog No. M1120046.00

HP 0.167

RPM 1800

DC Volts 12.0

N.P. FLA 14.00

F.F. 1.00

Encl TENV

Type DN

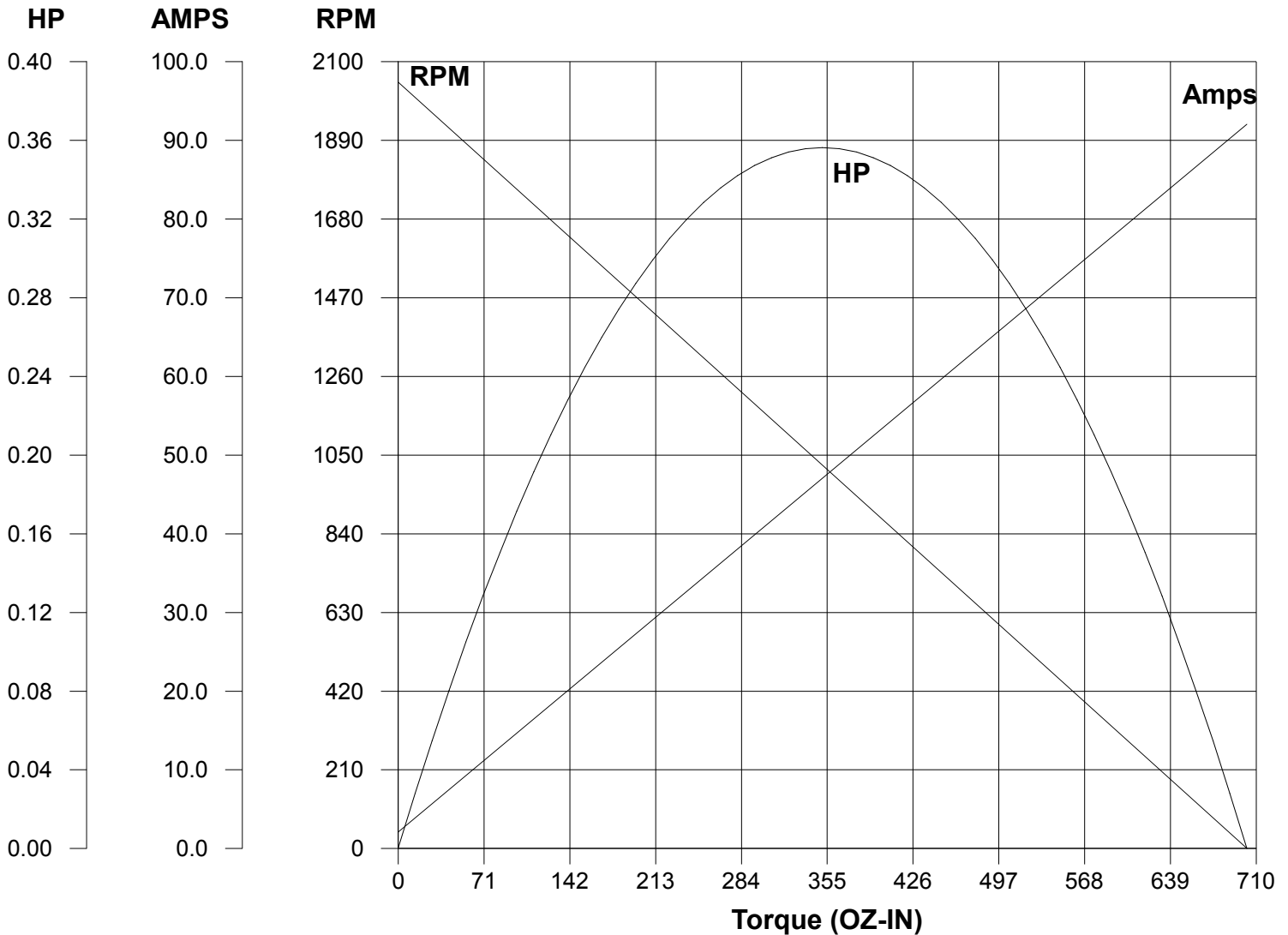
S.F. 1.00

Max. Amb. 40.0 Deg C

Insul. F

Frame 31

Duty CONT



Ra 0.08200 Ohms  
 La 0.5200 mHenrys  
 Ja 9.660 OZ-IN<sup>2</sup>  
 Ke 5.778 V/KRPM

Kt 7.814 OZ-IN/AMP  
 I<sub>max</sub> 173.0 AMPS Allowed  
 FL Torque 94.00 OZ-IN  
 FL EFF 72.80 %

Winding W- MD312326

Prepared by V. Boehlen

Date 10-14-2014

# LEESON ELECTRIC CORPORATION

## TYPICAL PERFORMANCE CURVE

FOR

## DIRECT CURRENT PERMANENT MAGNET MOTOR

Model No. CM31D17NZ26

Catalog No. M1120046.00

HP 0.330

RPM 3900

DC Volts 24.0

N.P. FLA 14.00

F.F. 1.00

Encl TENV

Type DN

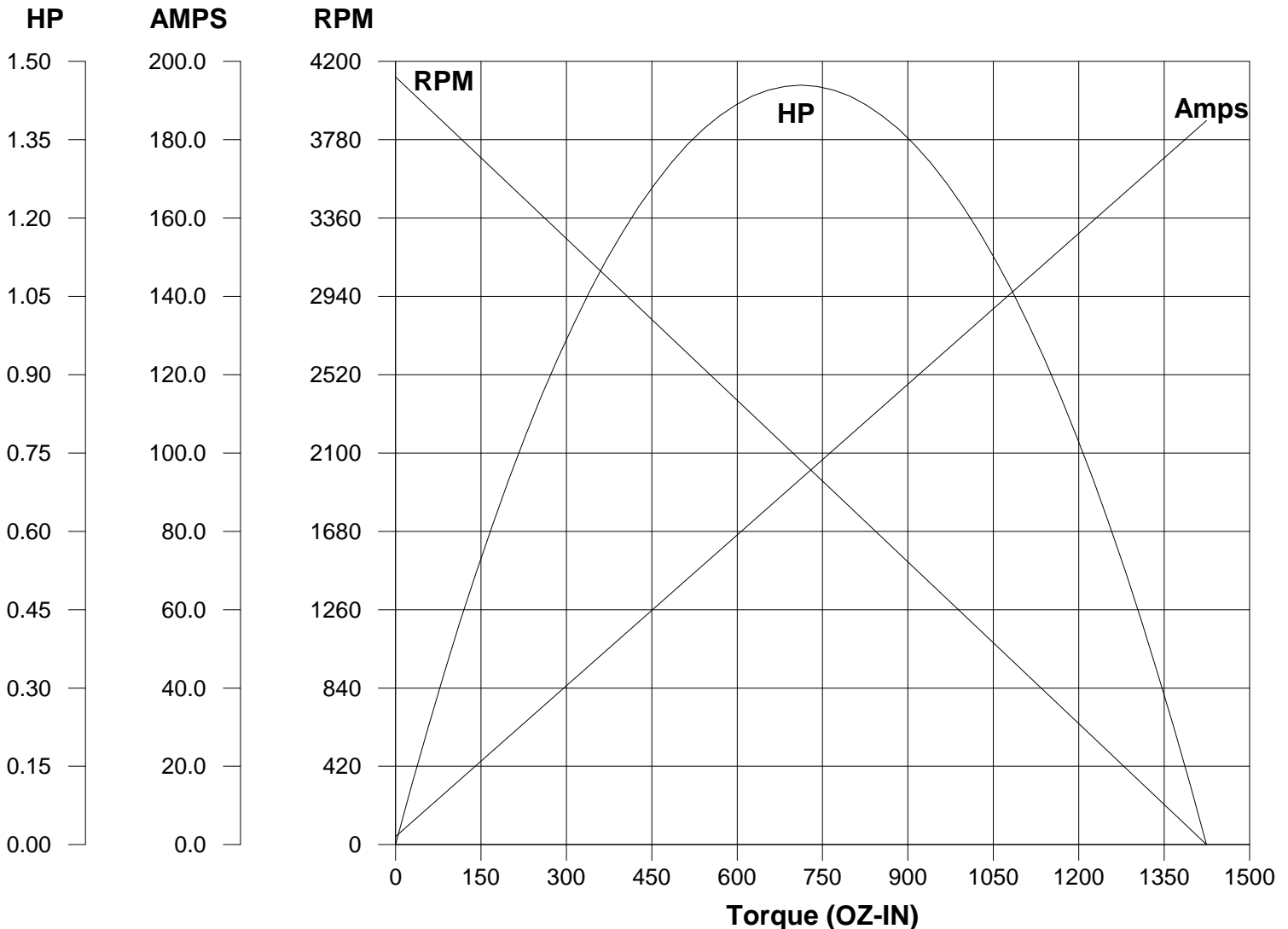
S.F. 1.00

Max. Amb. 40.0 Deg C

Insul. F

Frame 31

Duty CONT



Ra 0.08200 Ohms  
 La 0.5200 mHenrys  
 Ja 9.660 OZ-IN<sup>2</sup>  
 Ke 5.778 V/KRPM

Kt 7.814 OZ-IN/AMP  
 Imax 173.0 AMPS Allowed  
 FL Torque 94.00 OZ-IN  
 FL EFF 72.80 %

Winding W- MD312326

Prepared by V. Boehlen

Date 11-08-2010