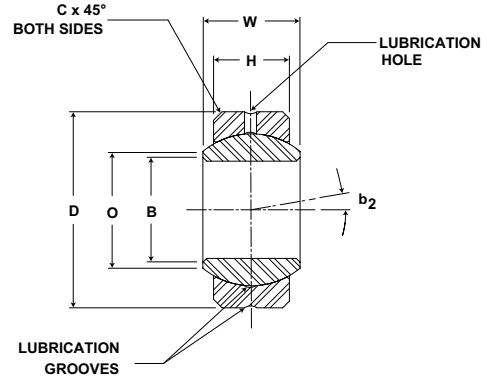




Basic Construction Type: 2 pc. Corrosion Resistant, Precision

Race Material: Stainless Steel, Heat Treated

Ball Material: Stainless Steel, Heat Treated



COR Series Spherical Plain Bearings

Part No.	Dimensions inch / mm							Max Static Radial Load lb/N	Misalignment Angle b_2 Deg. +/-	Unit Wt. lb/kg
	B	D	W	H	C	Ball Diam.	O			
	+0.0000 -0.0005	+0.0000 -0.0005	+0.000 -0.005	+0.005 -0.005	Ref.	Ref.	Ref.			
COR-3	.1900	.5625	.281	.218	.025	.406	.293	4800	11 1/2	.020 .009
	4.826	14.288	7.14	5.54	.64	10.31	7.44	21351		
COR-4	.2500	.6562	.343	.250	.025	.500	.364	7500	13 1/2	.020 .009
	6.350	16.667	8.71	6.35	.64	12.70	9.25	33362		
COR-5	.3125	.7500	.375	.281	.025	.562	.419	10400	12	.030 .014
	7.938	19.050	9.53	7.14	.64	14.27	10.64	46262		
COR-6	.3750	.8125	.406	.312	.030	.656	.515	14000	10	.040 .018
	9.525	20.638	10.31	7.92	.76	16.66	13.08	62275		
COR-8	.5000	1.0000	.500	.390	.035	.781	.600	20000	10	.070 .032
	12.700	25.400	12.70	9.91	.89	19.84	15.24	88964		
COR-10	.6250	1.1875	.625	.500	.035	.968	.739	36000	9	.120 .054
	15.875	30.163	15.88	12.70	.89	24.59	18.77	160136		
COR-12	.7500	1.4375	.750	.593	.045	1.187	.920	54000	9	.210 .095
	19.050	36.513	19.05	15.06	1.14	30.15	23.37	240204		
COR-14	.8750	1.5625	.875	.703	.045	1.312	.980	77000	9 1/2	.270 .122
	22.225	39.688	22.23	17.86	1.14	33.32	24.89	342513		
COR-16	1.0000	1.7500	1.000	.797	.045	1.500	1.118	93500	9 1/2	.380 .172
	25.400	44.450	25.40	20.24	1.14	38.10	28.40	415909		

NOTES

1. For mounting information, see Recommended Housing Bore Diameters, page J-43.

Metric dimensions for reference only.

Not all parts are available from stock. Please contact customer service for availability (800) 626-2120.

For more information on bearing capabilities outside of our standard offering, please contact Application Engineering (800) 626-2093.