

Chains & sprockets	Wear strips	Side guide brackets & accessories	Levelers
Modular belts & sprockets	Chain & belt return systems	Frame & structure supports	Bearings
Curves & tracks	Side guide solutions	Miscellaneous products	Related information



11050a

Idler wheels

www.SystemPlastSmartGuide.com

For chains 812 - 815 - 815VG - 881M - 881MO - 820 - 831 - LBP831

Material: self-lubricating polyamide, screws in stainless steel.
Notes: quickly replaceable, reinforced version, high wear and chemical resistance, recyclable.
Colour: black.



812-815

11020a

11030a

11030b

LBP 831

11340a

815 VG

11150a

881M - 881MO

11060a

820 - 820P - 831

11190a



Click here for related information.



Information about this product is only available on our Smart Guide™ website.



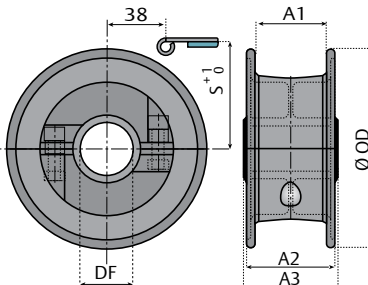
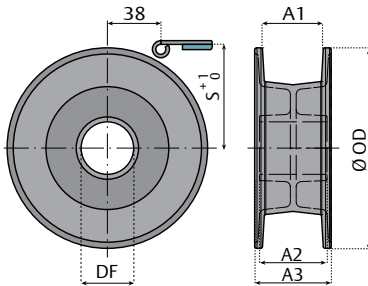
See also the sprockets and idler wheels:

11050a

11050b

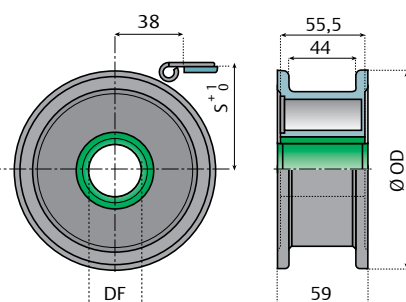
11090c

11040b



Molded idler wheels - One piece					
Z	Ø 25	Ø 30	Ø 35	Ø 40	Ø 45
	Item description				
15	-	820-15R30M-W	820-15R35M-W	820-15R40M-W	820-15R45M-W
17	820-17R25M-W	820-17R30M-W			-
19	820-19R25M-W	820-19R30M-W	820-19R35M-W	820-19R40M-W	
Molded idler wheels - Split Floating					
21	820-21R25M-WS	820-21R30M-WS	820-21R35M-WS	820-21R40M-WS	-
23	820-23R25M-WS	820-23R30M-WS	820-23R35M-WS	820-23R40M-WS	-
25	820-25R25M-WS	820-25R30M-WS	820-25R35M-WS	820-25R40M-WS	-

Z	Ø OD mm	S mm	A1 mm	A2 mm	A3 mm
15	90	48,2	48	82	82
17	106	56,2	44	52	52
19	117	62,6	44	58	52
21	129,8	68,6	44	57	61
23	142,2	74,6	44	57	61
25	154,7	80,5	44	57	61



Molded idler wheels - One piece Self-Lube bushing				
Z	Ø 25	Ø 30	Ø 35	Ø 40
	Item description			
21	820-21R25M-WSL	820-21R30M-WSL	820-21R35M-WSL	820-21R40M-WSL
23	820-23R25M-WSL ^{MOQ}	820-23R30M-WSL ^{MOQ}	820-23R35M-WSL ^{MOQ}	820-23R40M-WSL ^{MOQ}
25	820-25R25M-WSL	820-25R30M-WSL	820-25R35M-WSL	820-25R40M-WSL

Material: reinforced polyamide, screws in stainless steel, DIN 6885 key seat.

MOQ Min. order quantity: 100 pcs.