



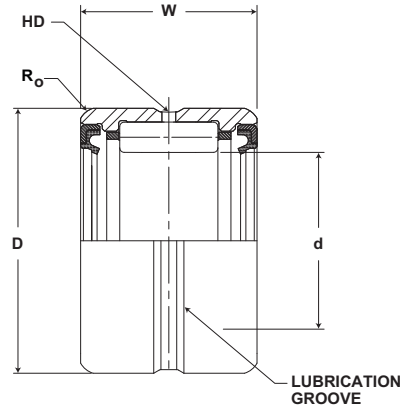
**Basic Construction Type:** Machined Race With Optional Separable Inner Ring

**Rolling Elements:** Cage Guided Precision Needles

**Bearing Material:** Bearing Quality Steel

**Seal Type:** Rubber Lip

**Lubrication:** Sealed Bearings: Lithium Soap Grease NLGI #1  
Unsealed Bearings: Rust Preventative



## MR SERIES (continued)

Part No.		d		D		W	Housing Bore Diameter			HD	Ro	Limiting Speed (In Oil)*	Basic Dynamic Rating	Basic Static Rating	Outer & Roller Assembly Weight
McGill Outer Ring & Roller Assembly	Military No.	Shaft Diameter		Outside Diameter		Width				Radial Lub. Hole Diameter	Max Hsg Radius to Clear				
		inch mm		inch mm		inch mm	inch mm			inch mm	inch mm				
		Nom	Tol.	Nom	Tol.	Tol +0/-0.005 (+0/-0.13)	Rotating	Stationary	Tol.	(Ref)	(Ref)	RPM	lb/N	lb/N	lb kg
† MR 68 SS, S, RS, SRS, RSS		4.2500	+0/-0.0007	5.2500	+0/-0.0010	2.000	5.2499	5.2511	+0/-0.0015	.19	0.10	900	34,000	86,200	3.74
MR 68	MS 51961-46	108.0	+0/-0.018	133.4	+0/-0.025	50.80	133	133	+0/-0.038	5	3	2820	151,232	383,418	1.69
MR 72	MS 51961-48	4.5000	+0/-0.0007	6.0000	+0/-0.0010	2.250	5.2499	5.2511	+0/-0.0015	.19	0.10	2660	60,300	130,000	7.13
		114.3	+0/-0.018	152.5	+0/-0.025	57.15	133	133	+0/-0.038	5	3		175,696	449,248	1.69
MR 80		5.0000	+0/-0.0007	6.5000	+0/-0.0010	2.250	5.9999	6.0011	+0/-0.0015	.19	0.10	800	64,600	148,000	7.78
		127.1	+0/-0.018	165.2	+0/-0.025	57.15	165	165	+0/-0.038	5	3		287,341	658,304	3.53
MR 88 N	MS 51961-52	5.5000	+0/-0.0007	7.0000	+0/-0.0010	2.500	6.9999	7.0011	+0/-0.0015	.25	0.10	2180	70,200	169,800	10.40
		139.8	+0/-0.018	177.9	+0/-0.025	63.50	178	178	+0/-0.038	6	3		312,250	755,270	4.72
MR 88	MS 51961-53	3.000	+0/-0.0015	3.000	+0/-0.0015	76.20	6.9999	7.0011	+0/-0.0015	.25	0.10	2180	85,700	222,000	11.82
		76.20		76.20		178	178	178	+0/-0.038	6	3		381,194	987,456	5.36
MR 96 N	MS 51961-55	2.500	+0/-0.0015	2.500	+0/-0.0015	76.20	7.4998	7.5011	+0/-0.0015	.25	0.12	2000	71,000	177,000	11.08
		63.50		63.50		190	190	190	+0/-0.038	6	3		315,808	787,296	5.02
MR 96	MS 51961-56	3.000	+0/-0.0015	3.000	+0/-0.0015	76.20	7.4998	7.5011	+0/-0.0015	.25	0.12	2000	86,600	228,000	12.69
		76.20		76.20		190	190	190	+0/-0.038	6	3		385,197	1,014,144	5.76
MR 104 N	MS 51961-57	2.500	+0/-0.0015	2.500	+0/-0.0015	76.20	7.9998	8.0011	+0/-0.0015	.25	0.12	1850	71,700	183,000	11.85
		63.50		63.50		203	203	203	+0/-0.038	6	3		318,922	813,984	5.37
† MR 104	MS 51961-58	3.000	+0/-0.0015	3.000	+0/-0.0015	76.20	7.9998	8.0011	+0/-0.0015	.25	0.12	1850	87,500	237,000	13.55
		76.20		76.20		203	203	203	+0/-0.038	6	3		389,200	1,054,176	6.15
MR 116	MS 51961-59	7.2500	+0/-0.0010	9.1250	+0/-0.0012	3.000	9.1248	9.1261	+0/-0.0015	.25	0.12	1680	95,200	234,000	19.32
		184.2	+0/-0.025	231.9	+0/-0.030	76.20	231	231	+0/-0.038	6	3		423,450	1,040,832	8.76
† MR 124		7.7500	+0/-0.0010	9.6250	+0/-0.0012	3.000	9.6250	9.6265	+0/-0.0020	.25	0.12	1530	99,100	252,000	19.80
		196.9	+0/-0.025	244.6	+0/-0.030	76.20	244	244	+0/-0.051	6	3		440,797	1,120,896	8.97
† MR 132		8.2500	+0/-0.0010	10.1250	+0/-0.0012	3.000	10.1250	10.1265	+0/-0.0020	.25	0.12	1460	103,000	270,000	21.63
		209.6	+0/-0.025	257.3	+0/-0.030	76.20	257	257	+0/-0.051	6	3		458,144	1,200,960	9.81
† MR 140		8.7500	+0/-0.0010	10.6250	+0/-0.0014	3.000	10.6250	10.6265	+0/-0.0020	.25	0.16	1370	104,000	280,000	22.73
		222.3	+0/-0.025	270.0	+0/-0.036	76.20	269	270	+0/-0.051	6	4		462,592	1,245,440	10.31
MR 148		9.2500	+0/-0.0010	11.1250	+0/-0.0014	3.000	11.1250	11.1265	+0/-0.0020	.25	0.16	1300	108,000	292,000	24.90
		235.0	+0/-0.025	282.7	+0/-0.036	76.20	282	282	+0/-0.051	6	4		480,384	1,298,816	10.88

For sealed bearings, Outside diameter may be slightly oversize due to seal press fit.

For DS matching as DS suffix to part number

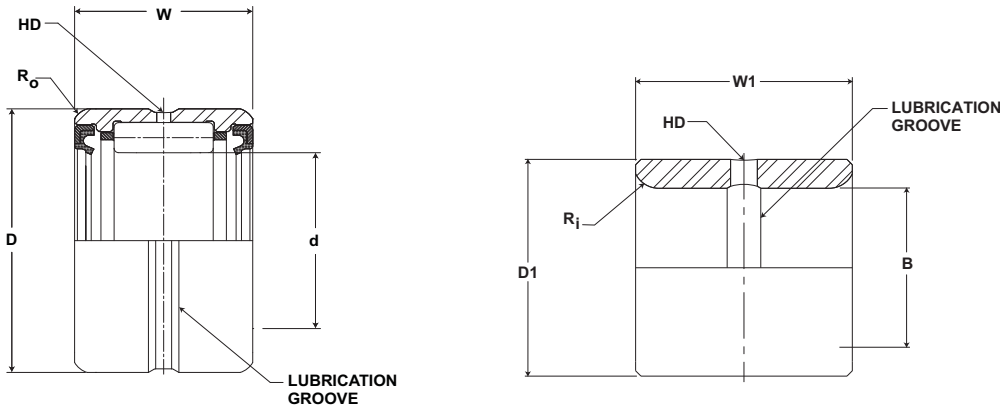
\* For bearing properly filled with #1 grease reduce speed by 50%

† Not available from stock. Consult McGill customer service for availability.

Metric dimensions for reference only.

Not all parts are available from stock. Please contact customer service for availability (800) 626-2120.

For more information on bearing capabilities outside of our standard offering, please contact Application Engineering (800) 626-2093.



## MR SERIES (continued)

Part No.		Military No.	B		D1		W1	HD	Ri	Recommended Shaft Diameter with inner ring			Inner Weight
McGill Outer Ring & Roller Assembly	Separable Inner Ring Only		Bore Diameter		Outside Diameter		Width	Radial Lub. Hole Diameter	Max Shaft Radius to Clear				lb kg
			inch mm		inch mm		inch mm			inch mm			
			Nom	Tol.	Nom	Tol.	Tol +0/-0.005 (+0/-0.13)	(Ref)	(Ref)	Rotating	Stationary	Tol.	
† MR 68 SS, S, RS, SRS, RSS	MI 58		3.6250 92.111	+0/-0.0008 +0/-0.020	4.2485 107.954	+0/-0.0009 +0/-0.023	2.010 51.07	.25 6.4	0.10 3	3.6260 92.137	3.6246 92.101	+0/-0.0010 +0/-0.025	1.70 .77
MR 68	MI 60	MS 500072-40	3.7500 95.288	+0/-0.0008 +0/-0.020	4.2485 107.954	+0/-0.0009 +0/-0.023	2.010 51.07	0.25 6	0.10 3	3.7510 95.313	3.7496 95.277	+0/-0.0010 +0/-0.025	1.75 .79
MR 72	MI 62		3.8750 98.464	+0/-0.0008 +0/-0.020	4.4985 114.307	+0/-0.0009 +0/-0.023	2.260 57.43	.25 6.4	.10 2.5	3.8760 98.489	3.8746 98.454	+0/-0.0010 +0/-0.025	3.25 1.47
MR 80	MI 64		4.0000 101.640	+0/-0.0008 +0/-0.020	4.9985 127.012	+0/-0.0010 +0/-0.025	2.260 57.43	.25 6.4	0.10 3	4.0010 101.665	3.9996 101.630	+0/-0.0010 +0/-0.025	4.38 1.99
	MI 68		4.2500 107.993	+0/-0.0008 +0/-0.020	4.9985 127.012	+0/-0.0010 +0/-0.025	2.260 57.43	0.25 6	0.10 3	4.2510 108.018	4.2496 107.982	+0/-0.0010 +0/-0.025	5.24 2.37
MR 88 N	MI 72 N	MS 500072-43	4.5000 114.345	+0/-0.0008 +0/-0.020	5.4985 139.717	+0/-0.0010 +0/-0.025	2.515 63.91	.25 6.4	0.10 3	4.5010 114.370	4.4996 114.332	+0/-0.0010 +0/-0.025	5.43 2.47
MR 88	MI 72	MS 500072-44	4.5000 114.345	+0/-0.0008 +0/-0.020	5.4985 139.717	+0/-0.0010 +0/-0.025	3.015 76.61	0.25 6	0.10 3	4.5010 114.370	4.4995 114.332	+0/-0.0010 +0/-0.025	5.97 2.71
MR 96 N	MI 80 N	MS 500072-46	5.0000 127.050	+0/-0.0010 +0/-0.025	5.9983 152.417	+0/-0.0010 +0/-0.025	2.515 63.91	.31 7.9	0.12 3	5.0010 127.075	4.9995 127.037	+0/-0.0010 +0/-0.025	5.97 2.71
MR 96	MI 80	MS 500072-47	5.0000 127.050	+0/-0.0010 +0/-0.025	5.9983 152.417	+0/-0.0010 +0/-0.025	3.015 76.61	0.31 8	0.12 3	5.0010 127.075	4.9995 127.037	+0/-0.0010 +0/-0.025	7.12 3.23
MR 104 N	MI 88 N	MS 500072-48	5.5000 139.755	+0/-0.0010 +0/-0.025	6.4983 165.122	+0/-0.0010 +0/-0.025	2.515 63.91	.31 7.9	0.12 3	5.5010 139.780	5.4995 139.742	+0/-0.0010 +0/-0.025	6.30 2.88
† MR 104	MI 88	MS 500072-49	5.5000 139.755	+0/-0.0010 +0/-0.025	6.4983 165.122	+0/-0.0010 +0/-0.025	3.015 76.61	0.31 8	0.12 3	5.5010 139.780	5.4995 139.742	+0/-0.0010 +0/-0.025	7.56 3.43
MR 116	MI 96	MS 500072-50	6.0000 152.460	+0/-0.0010 +0/-0.025	7.2481 184.174	+0/-0.0012 +0/-0.030	3.015 76.61	.31 7.9	.12 3.0	6.0012 152.490	5.9995 152.447	+0/-0.0012 +0/-0.030	11.06 5.03
† MR 124	MI 104		6.5000 165.165	+0/-0.0010 +0/-0.025	7.7481 196.879	+0/-0.0012 +0/-0.030	3.015 76.61	.31 7.9	.12 3.0	6.5012 165.195	6.4995 165.152	+0/-0.0012 +0/-0.030	11.99 5.39
† MR 132	MI 112		7.0000 177.870	+0/-0.0010 +0/-0.025	8.2481 209.584	+0/-0.0012 +0/-0.030	3.015 76.61	.31 7.9	.12 3.0	7.0012 177.900	6.9995 177.857	+0/-0.0012 +0/-0.030	12.70 5.77
† MR 140	MI 120		7.5000 190.575	+0/-0.0012 +0/-0.030	8.7480 222.287	+0/-0.0012 +0/-0.030	3.015 76.61	.31 7.9	.16 4.1	7.5012 190.605	7.4995 190.562	+0/-0.0012 +0/-0.030	13.60 6.17
† MR 148	MI 128		8.0000 203.280	+0/-0.0012 +0/-0.030	9.2480 234.992	+0/-0.0012 +0/-0.030	3.015 76.61	.31 7.9	.16 4.1	8.0012 203.310	7.9995 203.267	+0/-0.0012 +0/-0.030	14.40 6.55

† Not available from stock. Consult McGill customer service for availability.