

MCGILL® Inch Cam Follower Bearings



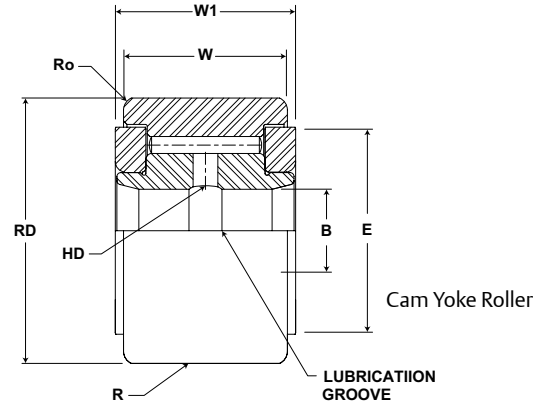
Basic Construction Type: Yoke Type Crowned/
Cylindrical Outside Diameter

Rolling Elements: Full Complement/Needle
Roller

Bearing Material: Bearing Quality Steel

Seal Type: LUBRI-DISC®

Lubrication: Lithium Soap Grease NLGI #2

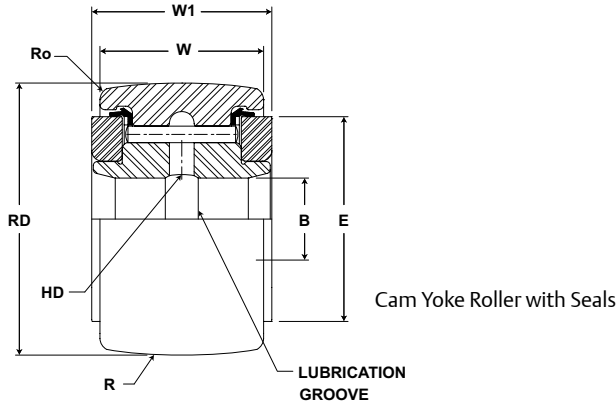


CYR

Part No.		RD		W		B		W1	R	Track Roller Dynamic Rating	Track Roller Static Rating
W/O Seals	With LUBRI-DISC Seals	Roller Diameter		Roller Width		Bore Diameter		Overall Width	Crown		
		inch mm		inch mm		inch mm		inch mm	Prefix CCYR-XX		
		Nom.	Tol.	Nom.	Tol.	Nom	Tol	(Ref)	inch mm Radius	lb/N	lb/N
CYR 3/4	CYR 3/4 S	.750	+0/-0.001	.500	+0/-0.005	.250	+0.002/-0.004	.5625	Cylindrical	1,660 7,384	4,130 18,370
	CCYR 3/4 S	19.05	+0/-0.03	12.70	+0/-0.13	6.35	+0.005/-0.010	14.28	10 254		
CYR 7/8	CYR 7/8 S	.875	+0/-0.001	.500	+0/-0.005	.250	+0.002/-0.004	.5625	Cylindrical	1,660 7,384	4,130 18,370
	CCYR 7/8 S	22.23	+0/-0.03	12.70	+0/-0.13	6.35	+0.005/-0.010	14.28	10 254		
CYR 1	CYR 1 S	1.000	+0/-0.001	.625	+0/-0.005	.3125	+0.002/-0.004	.6875	Cylindrical	2,225 9,897	6,120 27,222
	CCYR 1 S	25.40	+0/-0.03	15.88	+0/-0.13	7.94	+0.005/-0.010	17.46	12 305		
CYR 1 1/8	CYR 1 1/8 S	1.125	+0/-0.001	.625	+0/-0.005	.3125	+0.002/-0.004	.6875	Cylindrical	2,225 9,897	6,120 27,222
	CCYR 1 1/8 S	28.58	+0/-0.03	15.88	+0/-0.13	7.94	+0.005/-0.010	17.46	12 305		
CYR 1 1/4	CYR 1 1/4 S	1.250	+0/-0.001	.750	+0/-0.005	.375	+0.002/-0.004	.8125	Cylindrical	3,930 17,481	8,500 37,808
	CCYR 1 1/4 S	31.75	+0/-0.03	19.05	+0/-0.13	9.53	+0.005/-0.010	20.64	14 356		
CYR 1 3/8	CYR 1 3/8 S	1.375	+0/-0.001	.750	+0/-0.005	.375	+0.002/-0.004	.8125	Cylindrical	3,930 17,481	8,500 37,808
	CCYR 1 3/8 S	34.93	+0/-0.03	19.05	+0/-0.13	9.53	+0.005/-0.010	20.64	14 356		
CYR 1 1/2	CYR 1 1/2 S	1.500	+0/-0.001	.875	+0/-0.005	.4375	+0.002/-0.004	.9375	Cylindrical	4,840 21,528	11,280 50,173
	CCYR 1 1/2 S	38.10	+0/-0.03	22.23	+0/-0.13	11.11	+0.005/-0.010	23.81	20 508		
CYR 1 5/8	CYR 1 5/8 S	1.625	+0/-0.001	.875	+0/-0.005	.4375	+0.002/-0.004	.9375	Cylindrical	4,840 21,528	11,280 50,173
	CCYR 1 5/8 S	41.28	+0/-0.03	22.23	+0/-0.13	11.11	+0.005/-0.010	23.81	20 508		
CYR 1 3/4	CYR 1 3/4 S	1.750	+0/-0.001	1.000	+0/-0.005	.500	+0.002/-0.004	1.0625	Cylindrical	6,385 28,400	115,840 515,256
	CCYR 1 3/4 S	44.45	+0/-0.03	25.40	+0/-0.13	12.70	+0.005/-0.010	26.98	20 508		

Metric dimensions for reference only.
 Not all parts are available from stock. Please contact customer service for availability (800) 626-2120.
 For more information on bearing capabilities outside of our standard offering, please contact Application Engineering (800) 626-2093.

Inch Cam Follower Bearings **McGILL**



CYR

Part No.		HD	E	Ro	Recommended Shaft Diameters						Limiting Speed	WT
W/O Seals	With LUBRI-DISC Seals	Hole Diameter	Min. Clamping Diameter	Outer Corner	Push Fit		Drive Fit		Press Fit		RPM	Bearing Weight
		inch mm			inch mm		inch mm		inch mm			lb kg
		(Ref)	(Ref)	(Ref)	Nom	Tol	Nom	Tol	Nom	Tol		
CYR 3/4	CYR 3/4 S	.09	.61	.02	.2495	±.0002	.2501	±.0002	.2503	±.0002	6,400	.06
	CCYR 3/4 S	2.4	15.5	N/A	6.337	±.005	6.353	±.005	6.357	±.005		.03
CYR 7/8	CYR 7/8 S	.09	.61	.02	.2495	±.0002	.2501	±.0002	.2503	±.0002	5,400	.08
	CCYR 7/8 S	2.4	15.5	N/A	6.337	±.005	6.353	±.005	6.357	±.005		.04
CYR 1	CYR 1 S	.09	.78	.03	.3120	±.0002	.3126	±.0002	.3128	±.0002	4,800	.15
	CCYR 1 S	2.4	19.8	N/A	7.925	±.005	7.940	±.005	7.945	±.005		.07
CYR 1 1/8	CYR 1 1/8 S	.09	.78	.03	.3120	±.0002	.3126	±.0002	.3128	±.0002	3,400	.17
	CCYR 1 1/8 S	2.4	19.8	N/A	7.925	±.005	7.940	±.005	7.945	±.005		.08
CYR 1 1/4	CYR 1 1/4 S	.09	.98	.03	.3745	±.0002	.3751	±.0002	.3753	±.0002	3,100	.24
	CCYR 1 1/4 S	2.4	25.0	N/A	9.512	±.005	9.527	±.005	9.532	±.005		.11
CYR 1 3/8	CYR 1 3/8 S	.09	.98	.05	.3745	±.0002	.3751	±.0002	.3753	±.0002	2,800	.30
	CCYR 1 3/8 S	2.4	25.0	N/A	9.512	±.005	9.527	±.005	9.532	±.005		.14
CYR 1 1/2	CYR 1 1/2 S	.09	1.09	.06	.4370	±.0002	.4376	±.0002	.4378	±.0002	2,500	.41
	CCYR 1 1/2 S	2.4	27.8	N/A	11.100	±.005	11.115	±.005	11.120	±.005		.19
CYR 1 5/8	CYR 1 5/8 S	.09	1.09	.06	.4370	±.0002	.4376	±.0002	.4378	±.0002	2,350	.50
	CCYR 1 5/8 S	2.4	27.8	N/A	11.100	±.005	11.115	±.005	11.120	±.005		.23
CYR 1 3/4	CYR 1 3/4 S	.09	1.25	.06	.4995	±.0002	.5001	±.0002	.5005	±.0002	2,200	.64
	CCYR 1 3/4 S	2.4	31.8	N/A	12.687	±.005	12.703	±.005	12.713	±.005		.29