

# MCGILL® Inch Cam Follower Bearings



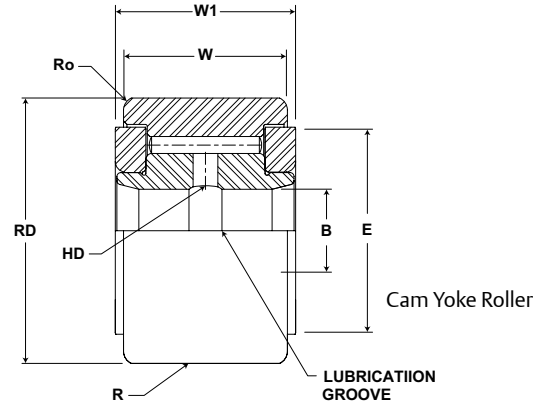
**Basic Construction Type:** Yoke Type Crowned/  
Cylindrical Outside Diameter

**Rolling Elements:** Full Complement/Needle  
Roller

**Bearing Material:** Bearing Quality Steel

**Seal Type:** LUBRI-DISC®

**Lubrication:** Lithium Soap Grease NLGI #2



## CYR

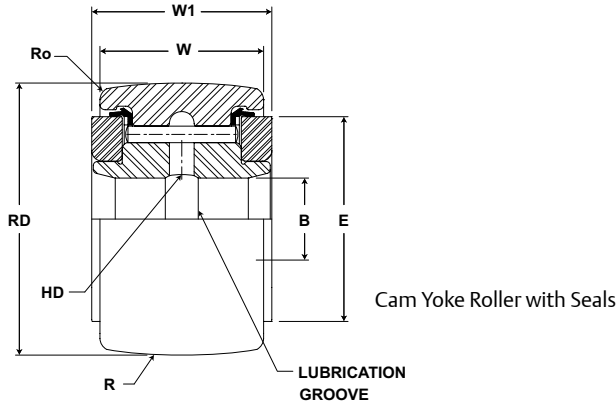
Part No.		RD		W		B		W1	R	Track Roller Dynamic Rating	Track Roller Static Rating
W/O Seals	With LUBRI-DISC Seals	Roller Diameter		Roller Width		Bore Diameter		Overall Width	Crown		
		inch mm		inch mm		inch mm		inch mm	Prefix CCYR-XX		
		Nom.	Tol.	Nom.	Tol.	Nom	Tol	(Ref)	inch mm Radius	lb/N	lb/N
CYR 1 7/8	CYR 1 7/8 S	1.875 47.63	+0/-0.001 +0/-0.03	1.000 25.40	+0/-0.005 +0/-0.13	.500 12.70	+0.001/-0.005 +0.003/-0.013	1.0625 26.98	Cylindrical	6,385 28,400	115,840 515,256
	CCYR 1 7/8 S							20 508			
CYR 2	CYR 2 S	2.000 50.80	+0/-0.001 +0/-0.03	1.250 31.75	+0/-0.005 +0/-0.13	.625 15.88	+0.001/-0.005 +0.003/-0.013	1.3125 33.34	Cylindrical	8,090 35,984	21,140 94,031
	CCYR 2 S							24 610			
CYR 2 1/4	CYR 2 1/4 S	2.250 57.15	+0/-0.001 +0/-0.03	1.250 31.75	+0/-0.005 +0/-0.13	.625 15.88	+0.001/-0.005 +0.003/-0.013	1.3125 33.34	Cylindrical	8,090 35,984	21,140 94,031
	CCYR 2 1/4 S							24 610			
CYR 2 1/2	CYR 2 1/2 S	2.500 63.50	+0/-0.001 +0/-0.03	1.500 38.10	+0/-0.005 +0/-0.13	.750 19.05	+0.001/-0.005 +0.003/-0.013	1.5625 39.69	Cylindrical	11,720 52,131	32,900 146,339
	CCYR 2 1/2 S							30 762			
CYR 2 3/4	CYR 2 3/4 S	2.750 69.85	+0/-0.001 +0/-0.03	1.500 38.10	+0/-0.005 +0/-0.13	.750 19.05	+0.001/-0.005 +0.003/-0.013	1.5625 39.69	Cylindrical	11,720 52,131	32,900 146,339
	CCYR 2 3/4 S							30 762			
CYR 3	CYR 3 S	3.000 76.20	+0/-0.001 +0/-0.03	1.750 44.45	+0/-0.005 +0/-0.13	1.000 25.40	+0.001/-0.005 +0.003/-0.013	1.8125 46.04	Cylindrical	15,720 69,923	49,820 221,599
	CCYR 3 S							30 762			
CYR 3 1/4	CYR 3 1/4 S	3.250 82.55	+0/-0.001 +0/-0.03	1.750 44.45	+0/-0.005 +0/-0.13	1.000 25.40	+0.001/-0.005 +0.003/-0.013	1.8125 46.04	Cylindrical	15,720 69,923	49,820 221,599
	CCYR 3 1/4 S							30 762			
CYR 3 1/2	CYR 3 1/2 S	3.500 88.90	+0/-0.001 +0/-0.03	2.000 50.80	+0/-0.005 +0/-0.13	1.125 28.58	+0.001/-0.005 +0.003/-0.013	2.0625 52.39	Cylindrical	22,800 101,414	63,250 281,336
	CCYR 3 1/2 S							30 762			
CYR 4	CYR 4 S	4.000 101.60	+0/-0.001 +0/-0.03	2.250 57.15	+0/-0.005 +0/-0.13	1.250 31.75	+0.001/-0.005 +0.003/-0.013	2.3125 58.74	Cylindrical	29,985 133,373	89,540 398,274
	CCYR 4 S							30 762			

Metric dimensions for reference only.

Not all parts are available from stock. Please contact customer service for availability (800) 626-2120.

For more information on bearing capabilities outside of our standard offering, please contact Application Engineering (800) 626-2093.

# Inch Cam Follower Bearings **McGILL**



CYR

Part No.		HD	E	Ro	Recommended Shaft Diameters						Limiting Speed	WT
W/O Seals	With LUBRI-DISC Seals	Hole Diameter	Min. Clamping Diameter	Outer Corner	Push Fit		Drive Fit		Press Fit		RPM	Bearing Weight
		inch mm			inch mm		inch mm		inch mm			lb kg
		(Ref)	(Ref)	(Ref)	Nom	Tol	Nom	Tol	Nom	Tol		
CYR 1 7/8	CYR 1 7/8 S	.09 2.4	1.25 31.8	.06 1.6	.4995 12.687	±.0002 ±.005	.5001 12.703	±.0002 ±.005	.5005 12.713	±.0002 ±.005	2,000	.80 .36
	CCYR 1 7/8 S			N/A								
CYR 2	CYR 2 S	.13 3.2	1.41 35.7	.09 2.4	.6245 15.862	±.0002 ±.005	.6245 15.862	±.0002 ±.005	.6245 15.862	±.0002 ±.005	1,400	1.05 .48
	CCYR 2 S			N/A								
CYR 2 1/4	CYR 2 1/4 S	.13 3.2	1.41 35.7	.09 2.4	.6245 15.862	±.0002 ±.005	.6251 15.877	±.0002 ±.005	.6255 15.887	±.0002 ±.005	1,300	1.32 .59
	CCYR 2 1/4 S			N/A								
CYR 2 1/2	CYR 2 1/2 S	.13 3.2	1.69 42.9	.09 2.4	.7495 19.037	±.0002 ±.005	.7501 19.053	±.0002 ±.005	.75015 19.063	±.0002 ±.005	1,100	1.80 .82
	CCYR 2 1/2 S			N/A								
CYR 2 3/4	CYR 2 3/4 S	.13 3.2	1.69 42.9	.09 2.4	.7495 19.037	±.0002 ±.005	.7501 19.053	±.0002 ±.005	.75015 19.063	±.0002 ±.005	1,050	2.25 1.02
	CCYR 2 3/4 S			N/A								
CYR 3	CYR 3 S	.13 3.2	2.13 54.0	.13 3.2	.9994 25.385	+0.0002/-0.0003 +0.005/-0.008	1.0002 25.405	+0.0002/-0.0003 +0.005/-0.008	1.0006 25.415	+0.0002/-0.0003 +0.005/-0.008	950	3.10 1.41
	CCYR 3 S			N/A								
CYR 3 1/4	CYR 3 1/4 S	.13 3.2	2.13 54.0	.13 3.2	.9994 25.385	+0.0002/-0.0003 +0.005/-0.008	1.0002 25.405	+0.0002/-0.0003 +0.005/-0.008	1.0006 25.415	+0.0002/-0.0003 +0.005/-0.008	880	3.62 1.64
	CCYR 3 1/4 S			N/A								
CYR 3 1/2	CYR 3 1/2 S	.13 3.2	2.44 61.9	.13 3.2	1.1244 28.560	+0.0002/-0.0003 +0.005/-0.008	1.1252 28.580	+0.0002/-0.0003 +0.005/-0.008	1.1256 28.590	+0.0002/-0.0003 +0.005/-0.008	820	4.95 2.25
	CCYR 3 1/2 S			N/A								
CYR 4	CYR 4 S	.13 3.2	2.80 71.0	.13 3.2	1.2494 31.735	+0.0002/-0.0003 +0.005/-0.008	1.2502 31.755	+0.0002/-0.0003 +0.005/-0.008	1.2506 31.765	+0.0002/-0.0003 +0.005/-0.008	700	7.05 3.19
	CCYR 4 S			N/A								