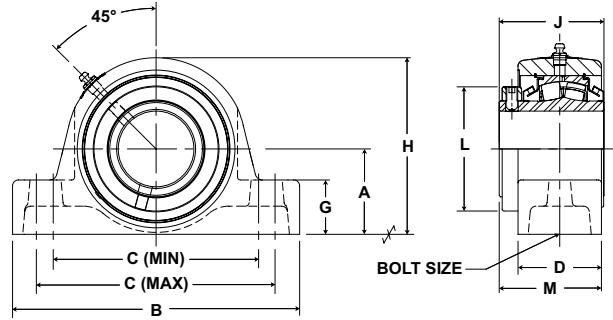


SEALMASTER® Performance Mounted Spherical Roller Bearings

Mtd. Spherical Bearings



- Rolling Elements:** Spherical Roller
- Housing:** Cast Iron Two Bolt Pillow Block
- Self Alignment:** +/- 2 Degrees
- Lock:** Setscrew
- Seal:** Felt
- Optional Seal:** Double Lip Contact
- Temperature:** -20° to 220° F



USRB5000 Series Two-Bolt Base Pillow Blocks - Collar Mount

Bore Diameter inch	Part No.	Basic Dynamic Rating lb/N	Dimensions inch / mm										Unit Wt. lb/kg	
			A	B	C		D	G	H	J	L	M*		Bolt Size
					Min.	Max.								
1 1/8	USRB5000-102	20368	1 3/4	6 5/16	4 1/2	5	2 3/16	1 1/16	3 3/4	2 3/4	2 49/64	2 3/4	3/8	6.9
1 3/16	USRB5000-103	90597	44.5	160.3	114.3	127.0	55.6	27.0	95.3	69.9	70.2	69.9	3/8	3.14
1 1/4	USRB5000-104													
1 7/16	USRB5000-107	20368	1 7/8	6 7/8	4 11/16	5 5/16	2 3/16	1 3/16	3 7/8	2 3/4	2 49/64	2 3/4	1/2	6.6
1 1/2	USRB5000-108	90597	47.6	174.6	119.1	134.9	55.6	30.2	98.4	69.9	70.2	69.9	1/2	3.00
1 11/16	USRB5000-111	22689	2 1/8	7 3/8	5 3/16	5 13/16	2 3/16	1 5/16	4 1/4	2 7/8	2 3/4	2 13/16	1/2	7.8
1 3/4	USRB5000-112	100921	54.0	187.3	131.8	147.6	55.6	33.3	108.0	73.0	69.9	71.4	1/2	3.55
1 15/16	USRB5000-115	23520	2 1/4	8 3/8	5 15/16	6 9/16	2 3/16	1 3/8	4 9/16	2 7/8	3	2 25/32	5/8	7.7
2	USRB5000-200	104617	57.2	212.7	150.8	166.7	55.6	34.9	115.9	73.0	76.2	70.6	5/8	5.23
2 3/16	USRB5000-203	28087	2 1/2	8 7/8	6 9/16	7 1/16	2 7/16	1 5/8	5	3 1/8	3 1/4	3 1/8	5/8	11.5
		124931	63.5	225.4	166.7	179.4	61.9	41.3	127.0	79.4	82.6	79.4	5/8	5.23
2 7/16	USRB5000-207	44691	2 3/4	9 1/4	6 13/16	7 7/16	2 11/16	1 3/4	5 11/16	3 3/8	4	3 9/32	5/8	16.0
2 1/2	USRB5000-208	198786	69.9	235.0	173.0	188.9	68.3	44.5	144.5	85.7	101.6	83.3	5/8	7.27
2 11/16	USRB5000-211													
2 3/4	USRB5000-212	47447	3 1/4	10 7/16	7 13/16	8 7/16	2 13/16	2 1/4	6 7/16	3 7/8	4 17/32	3 3/4	3/4	23.7
2 15/16	USRB5000-215	211044	82.6	265.1	198.4	214.3	71.4	57.2	163.5	98.4	115.1	95.3	3/4	10.77
3	USRB5000-300													
3 3/16	USRB5000-303	72640	3 3/4	13	9 1/4	10 3/4	3 3/16	2 1/4	7 1/2	4 15/32	5 5/16	4 1/4	7/8	37.1
3 7/16	USRB5000-307	323103	95.3	330.2	235.0	273.1	81.0	57.2	190.5	113.5	134.9	108.0	7/8	81.62
3 1/2	USRB5000-308													
3 11/16	USRB5000-311	96050	4 1/8	14 1/4	10	11 3/4	3 9/16	2 1/2	8 7/16	4 15/16	6	4 23/32	1	49.9
3 15/16	USRB5000-315	427230	104.8	362.0	254.0	298.5	90.5	63.5	214.3	125.4	152.4	119.9	1	22.68
4	USRB5000-400													

*For expansion bearings, this dimension can increase by the corresponding value in table VIII on page I-69.

Metric dimensions for reference only.

Not all parts are available from stock. Please contact customer service for availability (800) 626-2120.

For more information on bearing capabilities outside of our standard offering, please contact Application Engineering (800) 626-2093.