

# PRODUCT INFORMATION PACKET

Model No: 5R022  
Catalog No: 5R022  
38 WATT Refrigeration Motor, 1550 RPM, 115 Volts, Unit Bearing, TEAO  
Unit Bearing Motors



Regal and Morrill Motors are trademarks of Regal Rexnord Corporation or one of its affiliated companies.  
©2021 Regal Rexnord Corporation, All Rights Reserved. MC017097E



**Nameplate Specifications**

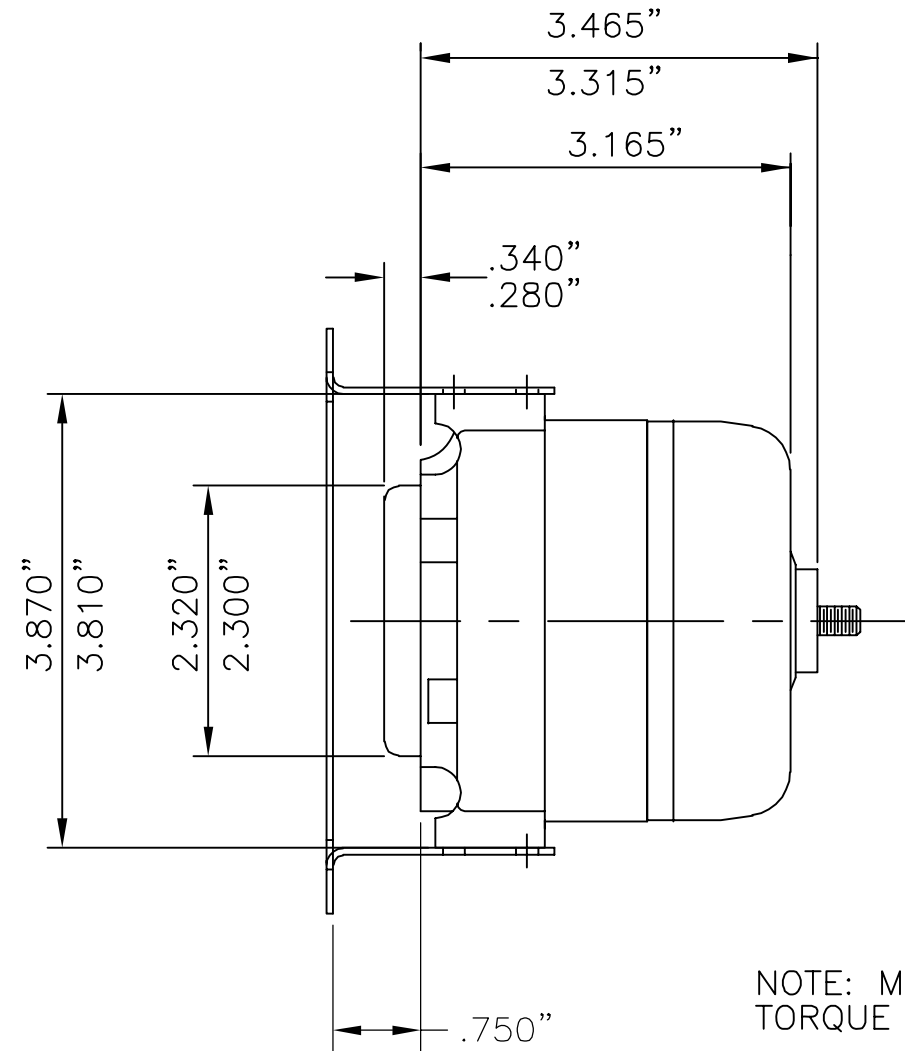
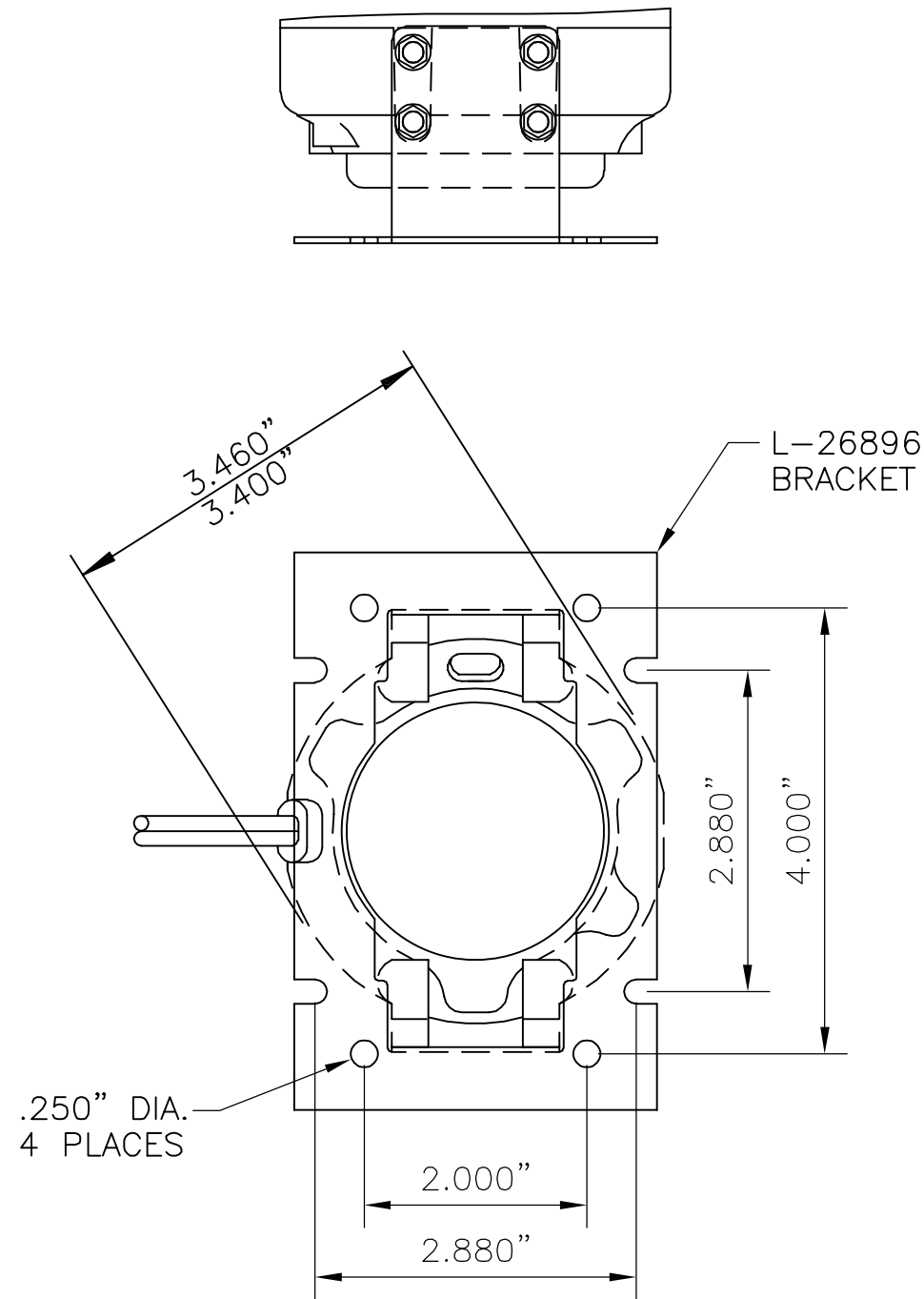
Output Watts	<b>38 W</b>	Frequency	<b>60 Hz</b>
Voltage	<b>115 V</b>	Current	<b>0.9 A</b>
Speed	<b>1550 rpm</b>	Phase	<b>1</b>
Duty	<b>Continuous Air Over</b>	Insulation Class	<b>B</b>
Frame	<b>UNIT BEARING</b>	Enclosure	<b>Totally Enclosed Air Over</b>
Thermal Protection	<b>Electronically Protected</b>	Ambient Temperature	<b>55 °C</b>
UL	<b>Yes</b>	CSA	<b>Y</b>
CE	<b>N</b>		

**Technical Specifications**

Electrical Type	<b>Electronically Commutated Motor</b>	Starting Method	<b>Across The Line</b>
Poles	<b>4</b>	Rotation	<b>Counterclockwise Opposite Shaft End</b>
Mounting	<b>Bracket</b>	Motor Orientation	<b>Any</b>
Frame Material	<b>Cast Iron</b>	Shaft Type	<b>1/4-20 THREAD</b>
Overall Length	<b>4.59 in</b>	Frame Length	<b>4.26 in</b>
Shaft Diameter	<b>0.250 in</b>	Shaft Extension	<b>0.33 in</b>
Outline Drawing	<b>26999-Erwin</b>		

This is an uncontrolled document once printed or downloaded and is subject to change without notice. Date Created:10/11/2021

NOTE: OUTLINE DIMENSIONS FOR WHICH NO LIMIT IS SPECIFIED ARE NOMINAL AND NOT GUARANTEED AS TO TOLERANCE. ADDITIONAL INFORMATION ON TOLERANCES WILL BE FURNISHED ON SPECIFIC REQUEST.



NOTE: MOUNTING SCREW TORQUE 3.5 FT. LBS. MAX.

F:\CADFILES\VOL\_9\26999



SCALE	1/2"=1"	REVISIONS	BY	DATE
DATE	02-17-10	①		
DR'N	RMH   CKD	②		
AP'VD		③		
		④		
TITLE			NO.	
MOTOR OUTLINE (SSC FULL 1" C.I. WITH L-26896 VSD BRACKET)			S-26999	