

PRODUCT INFORMATION PACKET

Model No: 5R030
Catalog No: 5R030
12 WATT Refrigeration Motor, 1550 RPM, 230 Volts, Unit Bearing, TEAO
Unit Bearing Motors





Nameplate Specifications

Output Watts	12 W	Frequency	60 Hz
Voltage	230 V	Current	0.15 A
Speed	1550 rpm	Phase	1
Duty	Continuous Air Over	Insulation Class	B
Frame	UNIT BEARING	Enclosure	Totally Enclosed Air Over
Thermal Protection	Electronically Protected	Ambient Temperature	55 °C
UL	Yes	CSA	Y
CE	N		

Technical Specifications

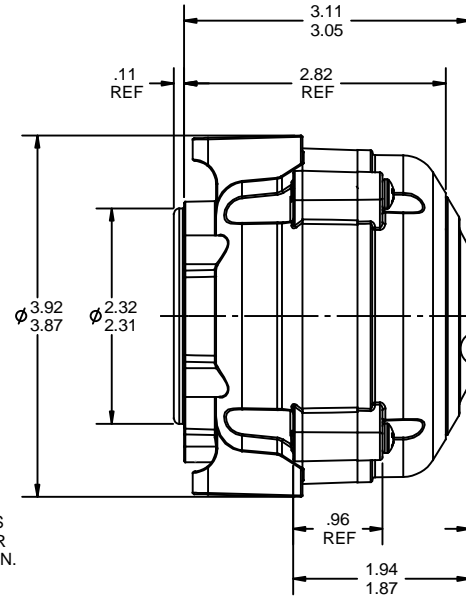
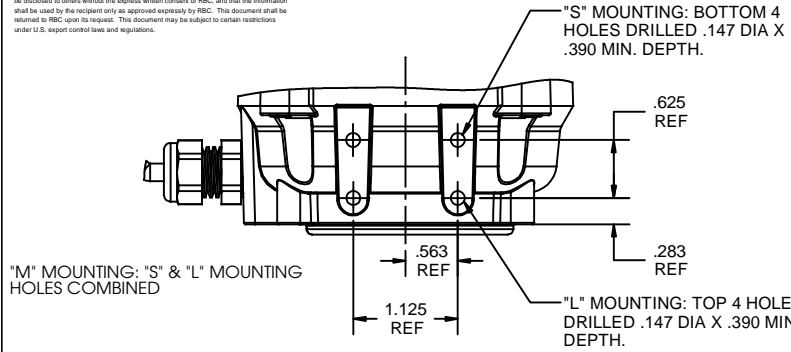
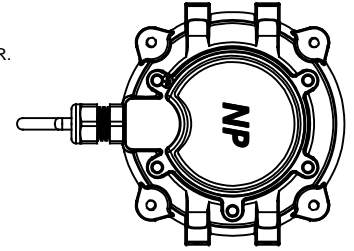
Electrical Type	Electronically Commutated Motor	Starting Method	Across The Line
Poles	4	Rotation	Clockwise Opposite Shaft End
Mounting	2 BOSS/OSE 5 HOLES	Motor Orientation	Any
Drive End Bearing	Ball	Opp Drive End Bearing	Ball
Frame Material	Aluminum	Shaft Type	1/4-20 THREAD
Overall Length	3.54 in	Frame Length	3.22 in
Shaft Diameter	0.250 in	Shaft Extension	0.33 in
Outline Drawing	24B202393BB		

This is an uncontrolled document once printed or downloaded and is subject to change without notice. Date Created:05/11/2020

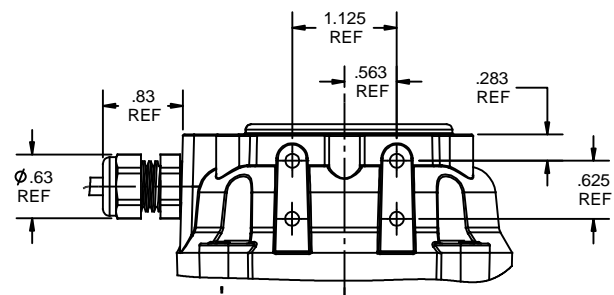
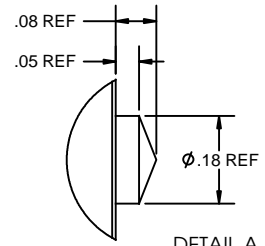
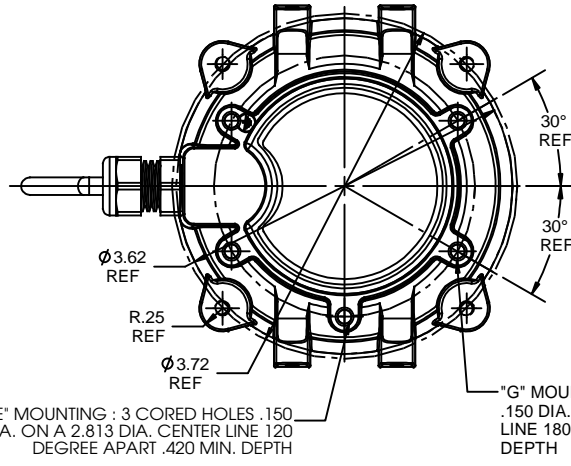
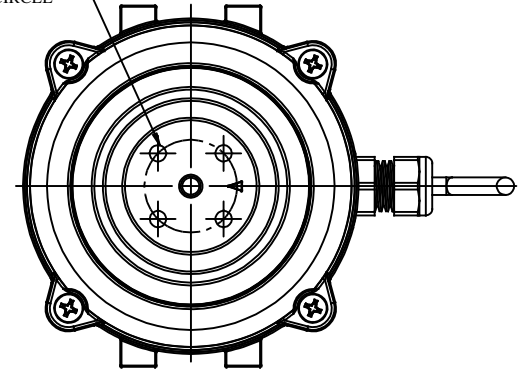
RBC PROPRIETARY AND CONFIDENTIAL INFORMATION
 This document is the property of REGAL BELOIT CORPORATION ("RBC") including its subsidiaries and divisions and contains proprietary information of RBC. This document is loaned on the express condition that neither it nor the information contained herein shall be disclosed to others without the express written consent of RBC, and that the information shall be used by the recipient only as approved expressly by RBC. This document shall be returned to RBC upon its request. This document may be subject to certain restrictions under U.S. export control laws and regulations.

NOTES:

1. MOUNTING SCREW TORQUE 3.5 FT.LB.MAX
2. FAN FASTENER NUT MAY BE PROVIDED. THE FOLLOWING TORQUE SPECIFICATIONS SHOULD BE USED WHEN ATTACHING A FAN TO THE MOTOR. HEX NUT WITH LOCK WASHER TORQUE TO BE 28 IN-LBS MAX, FLAT SPEED NUT TORQUE TO BE 26 IN-LBS MAX.
3. OUTLINE DIMENSIONS ON WHICH NO LIMIT IS SPECIFIED ARE NOMINAL AND NOT GUARANTEED AS TO TOLERANCE. ADDITIONAL INFORMATION ON TOLERANCES WILL BE FURNISHED UPON SPECIFIC REQUEST.



4 PLACES, 90° APART ON 1.00" BOLT CIRCLE



				TOLERANCES UNLESS SPECIFIED		DRAWN NT 12/28/10	
				DEC	INCHES	CHK RPH 12/28/10	
2	MODIFIED PER IS11-3504	PSG 8/3/2011	LMA .XX			TITLE	OUTLINE DRAWING
1	ADDED RIGHT SIDE VIEW PER IS11-1647	NT 4/7/2011	LMA .XXX			REF	ARKTIC SSC IP -0.75 STACK
0	ISSUED	NT 2/24/2011	RPH .XXXX			MATL	FMF
NO	REVISION	BY & DATE	CHK	ANG	FINISH	PAGE 1 OF 1	
	THIRD ANGLE PROJECTION		RFP	PREV	SIZE	DRAWING NO	REV
					B	24B202393BB	2
					NETWORK FILE NAME	24B202393BB	