

# PRODUCT INFORMATION PACKET

Model No: 5R031  
Catalog No: 5R031  
16 WATT Refrigeration Motor, 1550 RPM, 115 Volts, Unit Bearing, TEAO  
Unit Bearing Motors



Regal and Morrill Motors are trademarks of Regal Rexnord Corporation or one of its affiliated companies.  
©2021 Regal Rexnord Corporation, All Rights Reserved. MC017097E



**Nameplate Specifications**

Output Watts	<b>16 W</b>	Frequency	<b>60 Hz</b>
Voltage	<b>115 V</b>	Current	<b>0.4 A</b>
Speed	<b>1550 rpm</b>	Phase	<b>1</b>
Duty	<b>Continuous Air Over</b>	Insulation Class	<b>B</b>
Frame	<b>UNIT BEARING</b>	Enclosure	<b>Totally Enclosed Air Over</b>
Thermal Protection	<b>Electronically Protected</b>	Ambient Temperature	<b>55 °C</b>
UL	<b>Yes</b>	CSA	<b>Y</b>
CE	<b>N</b>		

**Technical Specifications**

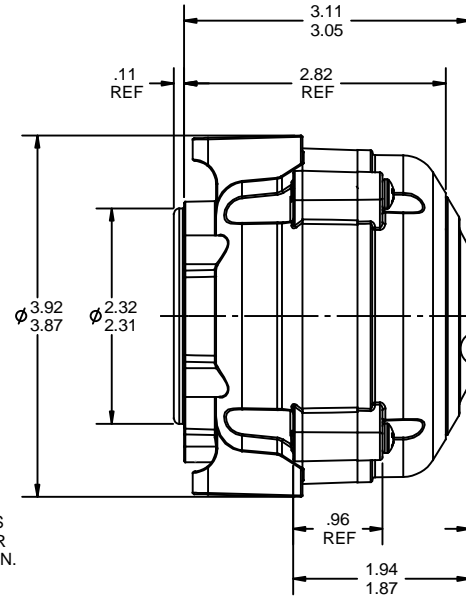
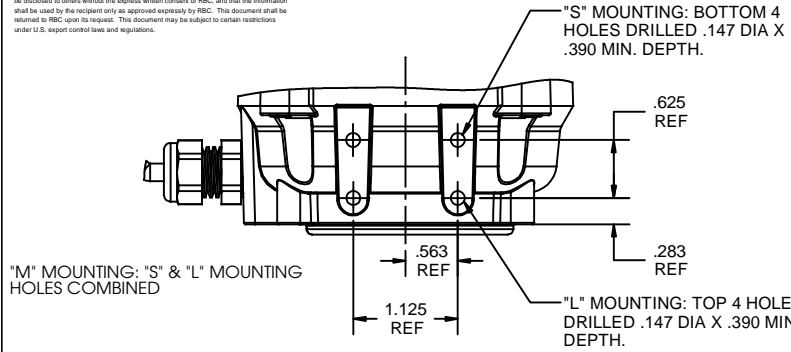
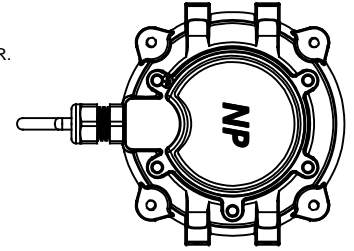
Electrical Type	<b>Electronically Commutated Motor</b>	Starting Method	<b>Across The Line</b>
Poles	<b>4</b>	Rotation	<b>Clockwise Opposite Shaft End</b>
Mounting	<b>2 BOSS/OSE 5 HOLES</b>	Motor Orientation	<b>Any</b>
Drive End Bearing	<b>Ball</b>	Opp Drive End Bearing	<b>Ball</b>
Frame Material	<b>Aluminum</b>	Shaft Type	<b>1/4-20 THREAD</b>
Overall Length	<b>3.54 in</b>	Frame Length	<b>3.22 in</b>
Shaft Diameter	<b>0.250 in</b>	Shaft Extension	<b>0.33 in</b>
Outline Drawing	<b>24B202393BB</b>		

This is an uncontrolled document once printed or downloaded and is subject to change without notice. Date Created:10/11/2021

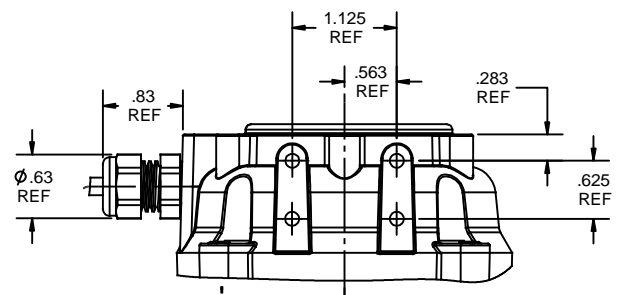
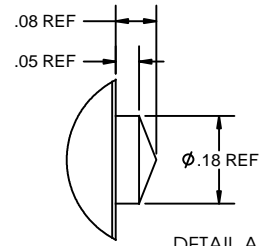
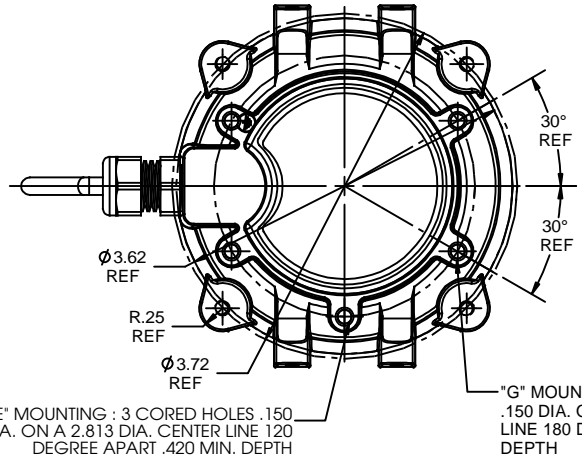
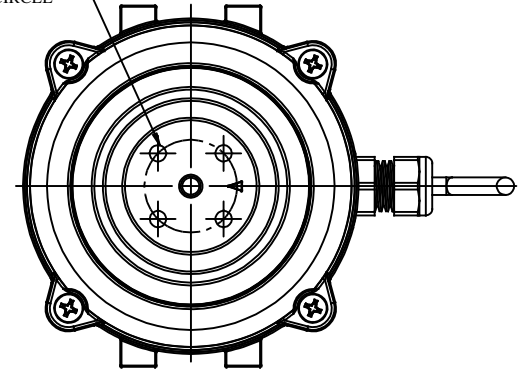
RBC PROPRIETARY AND CONFIDENTIAL INFORMATION  
 This document is the property of REGAL BELOIT CORPORATION ("RBC") including its subsidiaries and divisions and contains proprietary information of RBC. This document is loaned on the express condition that neither it nor the information contained herein shall be disclosed to others without the express written consent of RBC, and that the information shall be used by the recipient only as approved expressly by RBC. This document shall be returned to RBC upon its request. This document may be subject to certain restrictions under U.S. export control laws and regulations.

NOTES:

1. MOUNTING SCREW TORQUE 3.5 FT.LB.MAX
2. FAN FASTENER NUT MAY BE PROVIDED. THE FOLLOWING TORQUE SPECIFICATIONS SHOULD BE USED WHEN ATTACHING A FAN TO THE MOTOR. HEX NUT WITH LOCK WASHER TORQUE TO BE 28 IN-LBS MAX, FLAT SPEED NUT TORQUE TO BE 26 IN-LBS MAX.
3. OUTLINE DIMENSIONS ON WHICH NO LIMIT IS SPECIFIED ARE NOMINAL AND NOT GUARANTEED AS TO TOLERANCE. ADDITIONAL INFORMATION ON TOLERANCES WILL BE FURNISHED UPON SPECIFIC REQUEST.



4 PLACES, 90° APART ON 1.00" BOLT CIRCLE



				TOLERANCES UNLESS SPECIFIED		DRAWN NT 12/28/10	
				DEC	INCHES	CHK RPH 12/28/10	
2	MODIFIED PER IS11-3504	PSG 8/3/2011	LMA	.XX	TITLE	OUTLINE DRAWING	
1	ADDED RIGHT SIDE VIEW PER IS11-1647	NT 4/7/2011	LMA	.XXX	REF	ARKTIC SSC IP -0.75 STACK	
0	ISSUED	NT 2/24/2011	RPH	.XXXX	MATL	FMF	
NO	REVISION	BY & DATE	CHK	ANG	FINISH	PAGE 1 OF 1	
	THIRD ANGLE PROJECTION		RFP	PREV	SIZE	DRAWING NO	REV
			NETWORK FILE NAME	24B202393BB	B	24B202393BB	2