

PRODUCT INFORMATION PACKET



Model No: C01673
Catalog No: C01673
5/8" Stack C-Frame / Skeleton Motor, 3000 RPM, 2 Speed, 120 Volts, , OAO
C-Frame / Skeleton Motors



Regal and Century are trademarks of Regal Rexnord Corporation or one of its affiliated companies.
©2021 Regal Rexnord Corporation, All Rights Reserved. MC017097E





Nameplate Specifications

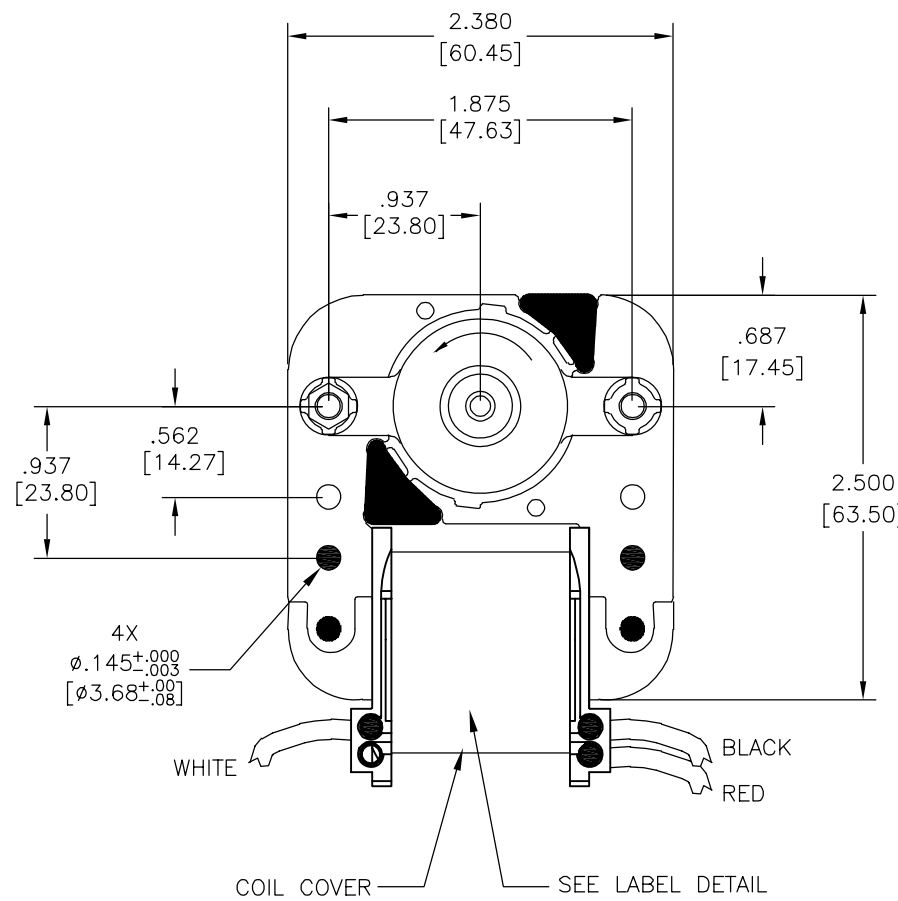
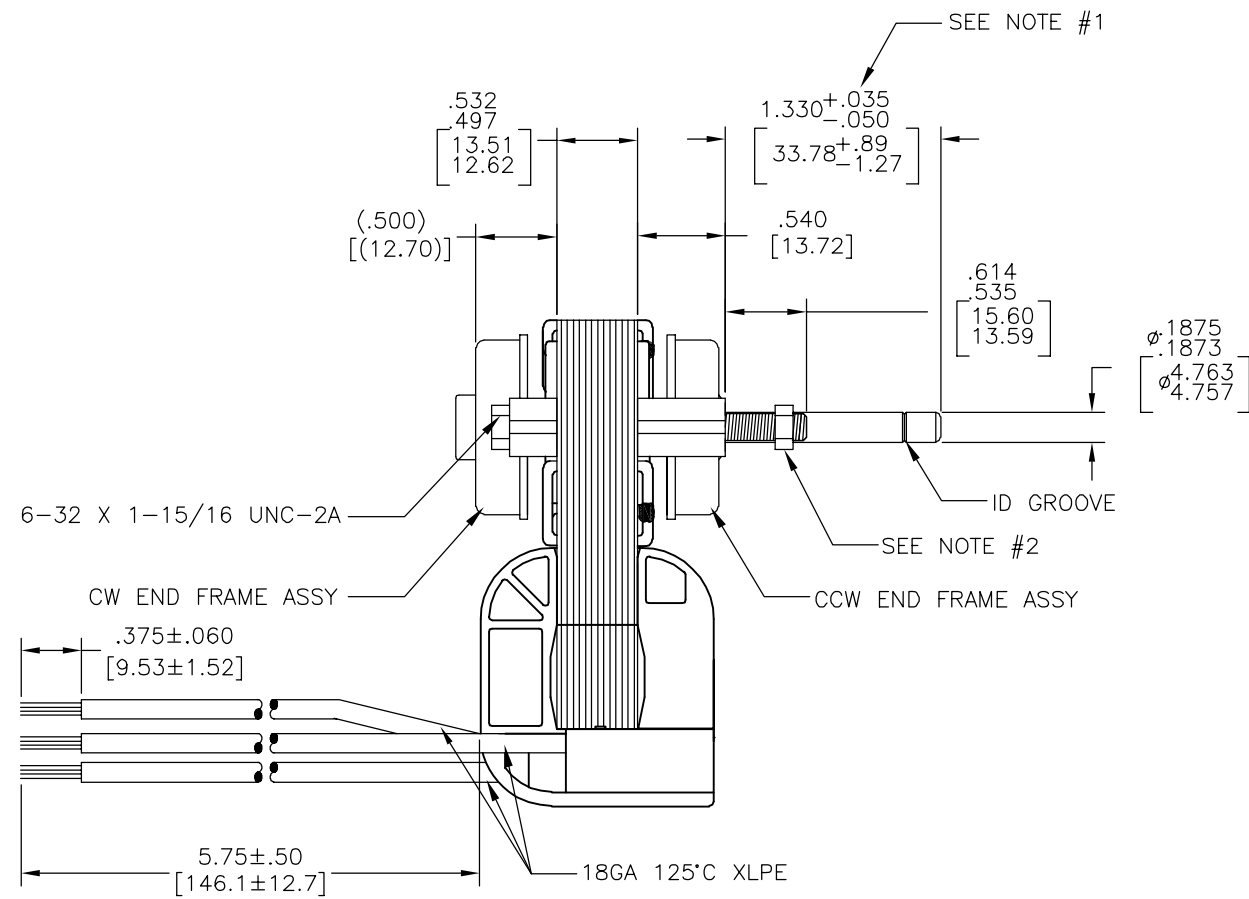
| | | | |
|---------------------|---------------|--------------------|------------|
| Output HP | 5/8" STACK Hp | Frequency | 60 Hz |
| Voltage | 120 V | Current | 0.71 A |
| Speed | 3000/1550 rpm | Service Factor | 1 |
| Phase | 1 | Duty | Continuous |
| Insulation Class | B | Frame | C-FRAME |
| Enclosure | Open Air Over | Thermal Protection | None |
| Ambient Temperature | 40 °C | UL | Recognized |
| CSA | Y | CE | N |
| Number of Speeds | 2 | | |

Technical Specifications

| | | | |
|-----------------------|-------------|-------------------|--------------------|
| Electrical Type | Shaded Pole | Starting Method | Induction Run |
| Poles | 2 | Rotation | Clockwise Lead End |
| Mounting | Bracket | Drive End Bearing | Sleeve |
| Opp Drive End Bearing | Sleeve | Frame Material | Na |
| Shaft Type | Groove | Shaft Diameter | 0.187 in |
| Shaft Extension | 1.33 in | | |
| Outline Drawing | C01673-S01 | | |

This is an uncontrolled document once printed or downloaded and is subject to change without notice. Date Created:10/07/2021

| | | | | | |
|-----|-------------|--------|------------|--------|------------|
| REV | ECO | REV BY | DATE | APPD | DATE |
| J | ECO-0035774 | N.HONG | 07-18-2013 | B.SHEN | 07-18-2013 |



NOTES:

- MEASURED WITH ENDPLAY REMOVED
- KEP NUTS TO BE HAND SPUN ON SCREW EXT.
- PACK THE FOLLOWING INSIDE OF CARTON WITH MOTOR:
PARTS KIT 626138, FAN 700047, 626137.

| | |
|-------------------|---|
| SCHEMATIC DIAGRAM | LABEL DETAIL |
| | <p>MDL 50F2M 120V 60HZ .71A ZPF CL"B" 16986 C01673</p> <p>MADE IN MEXICO UL507 COIL COVER</p> |

| | |
|-----------|----------------|
| ROTATION: | CCWSE |
| ENDPLAY: | .060[1.52] MAX |

| | | | | | | |
|---|--|---|----|-------------------------------------|--|---------------|
| <p>GEOMETRIC CHARACTERISTICS & SYMBOLS</p> <p>□ FLATNESS</p> <p>— STRAIGHTNESS</p> <p>∠ ANGULARITY</p> <p>⊥ PERPENDICULARITY (SQUARENESS)</p> <p>// PARALLELISM</p> <p>○ ROUNDNESS (CIRCULARITY)</p> <p>⊘ CYLINDRICITY</p> <p>△ PROFILE OF ANY SURFACE</p> <p>∩ PROFILE OF ANY LINE</p> <p>↗ RUNOUT</p> <p>⊕ TRUE POSITION</p> <p>◎ CONCENTRICITY</p> <p>≡ SYMMETRY</p> <p>ASME Y14.5M 1994</p> | <p>UNLESS OTHERWISE SPECIFIED DIM. TOLERANCES ARE AS FOLLOWS:</p> <p>INCH X XX XXX XXXX</p> <p>mm ±0.5 ±0.13 ±0.013</p> <p>ANG. ±.50 DEG</p> <p>REMOVE BURRS & BREAK SHARP EDGES:</p> <p>INCH .003-.015 mm 0.1-0.4</p> <p>CORNER FILLETS TO:</p> <p>INCH .020 mm 0.5</p> <p>MACHINE SURFACES:</p> <p>INCH 125 mm 3.2</p> <p>METRIC DIMS. SHOWN IN [BRACKETS]</p> | DR BY: | JB | 11-04-1997 | <p>REGAL REGAL-BELOIT CORPORATION</p> | |
| | | APPD: | | | | |
| | | THIRD ANGLE PROJECTION | | EDS DATE 11-11-2011 FORMAT REV H | SIZE C | DWG NO C01673 |
| | | <p>CONFIDENTIAL: THIS DRAWING AND ITS INFORMATION ARE THE EXCLUSIVE AND CONFIDENTIAL PROPERTY OF REGAL-BELOIT CORPORATION AND ARE NOT TO BE DISCLOSED, DUPLICATED, DISTRIBUTED OR OTHERWISE USED WITHOUT THE WRITTEN CONSENT OF REGAL-BELOIT CORPORATION. -ALL RIGHTS RESERVED.</p> | | | SCALE NONE | SHEET 1 |